

This document is the property of Nian-Yeong Corporation and is delivered on the express condition that it is not to be disclosed, reproduced or used, in whole or in part, for manufacture or sale by anyone other than Nian-Yeong Corporation without its prior consent, and that no right is granted to disclose or to use any information in this document.

CUSTOMER DRAWING

REV.	DESCRIPTION	APPROVED BY	DATE	ECN NO.
A	RELEASE	Fido Weng	14/05/13*	
B	修正側視圖	Ku Chou	17/12/18*	
C				

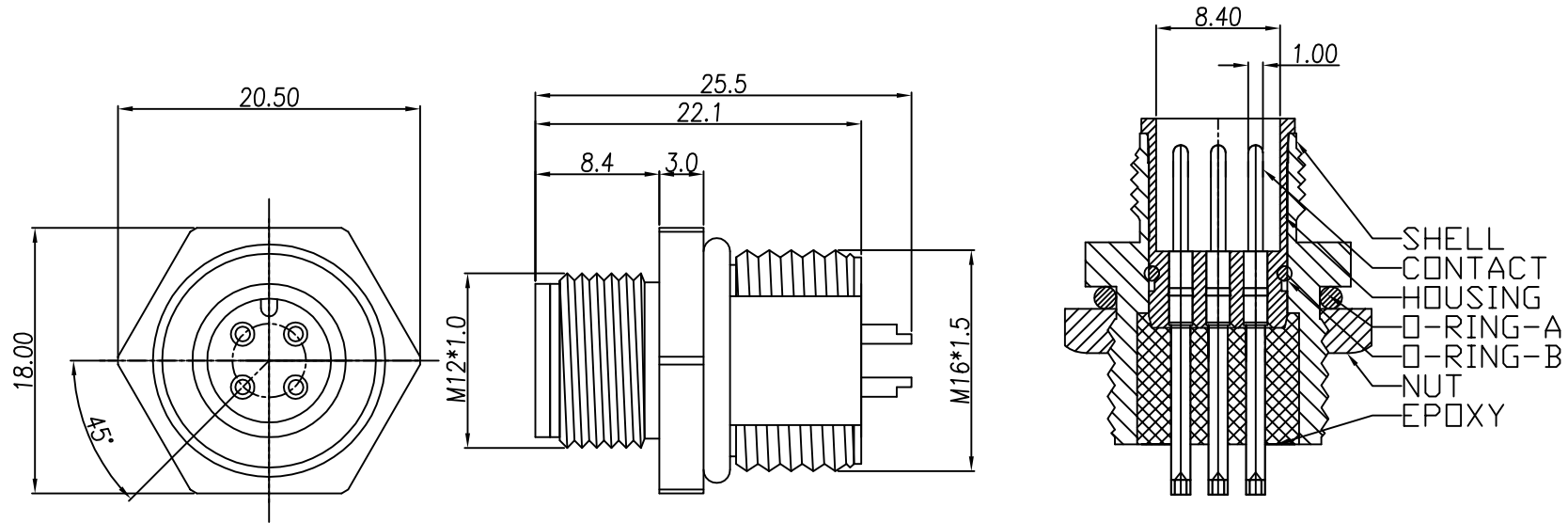
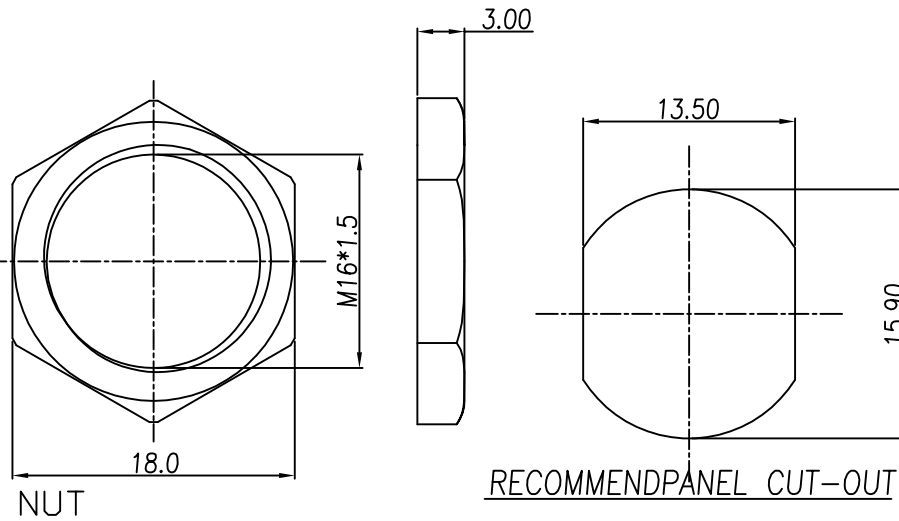


TABLE A

3PIN	2PIN
WP-03M2-138-11	WP-02M2-85-11
5PIN	4PIN
WP-05M2-62	WP-04M2-51

- MATERIAL :
  - HOUSING : PBT UL94V-0 ; COLOR : BLACK
  - CONTACT : BRASS
  - NUT : BRASS
  - O-RING-A : EPDM ; COLOR : BLACK
  - O-RING-B : SILICONE ; COLOR : GREEN
  - SHELL : BRASS
- FINISH :
  - CONTACT : 10 MICRO INCHES MIN. GOLD PLATED UNDER PLATE : NICKEL
  - NUT : NICKEL PLATED.
  - SHELL : NICKEL PLATED.
- ELECTRICAL SPECIFICATION :
  - Rated current : 4A
  - Rated Voltage : 4PIN 250V ; 5PIN 60V
  - Water proof : IP67/IP68
- Environmental :
  - Operation Temperature : -20°C~85°C



DRAWN	APP'D	UNIT	TOLERANCE	ANGULA	TITLE	PART NO.	SHEET
Ku Chou	Fido Weng	mm	.x ±0.20	±1°	WP M12 (M) 板端後鎖螺絲 (銅版M16*1.5)+螺母	SEE TABLE A	1
CHK'D	Emily Suen	SCALE	.xx ±0.10		WP-03M2-138-11 WP-02M2-85-11	DWG NO.	QC5126
		1:1	.xxx ±0.05		WP-05M2-62 WP-04M2-51		VERSION B
			.xxxx ±0.03		NIAN YEONG ENTERPRISE		
					年永實業有限公司		