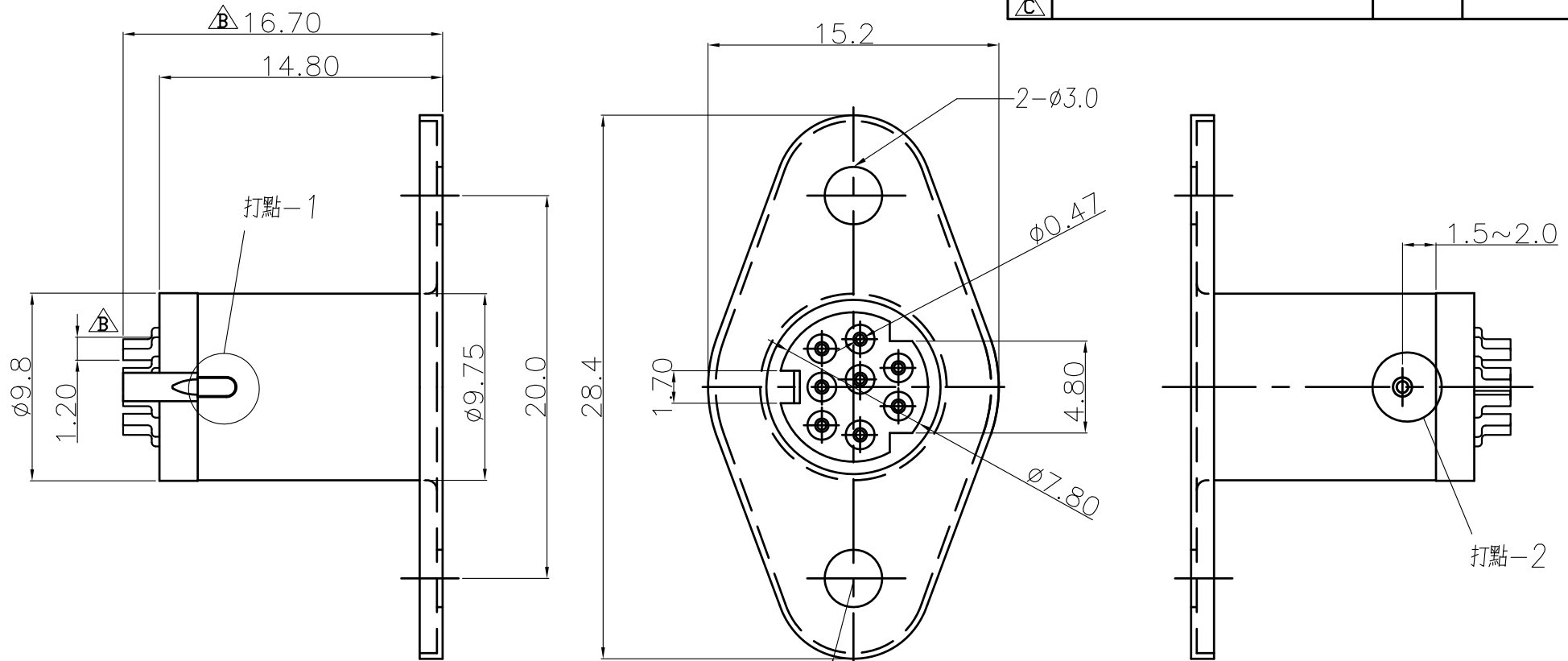


This document is the property of Nian-Yeong Corporation and is delivered on the express condition that it is not to be disclosed, reproduced or used, in whole or in part, for manufacture or sale by anyone other than Nian-Yeong Corporation without its prior consent, and that no right is granted to disclose or to use any information in this document.

CUSTOMER DRAWING

REV.	DESCRIPTION	APPVL. BY	DATE	ECN NO.
A	Release	Emily Suen	14/04/11'	
B	修改外觀繪圖和變更PIN	Fido Weng	12/02/14'	
C				



1. MATERIAL :
 - 1-1. HOUSING : PBT UL94V-0 ; COLOR : BLACK
 - 1-2. CONTACT : PHOSPHOR BRONZE
 - 1-3. SHELL : BRASS
 - 1-4. SPRING : PHOSPHOR BRONZE
2. FINISH :
 - 2-1. CONTACT : SILVER PLATED
 - UNDER PLATE : NICKEL
 - 2-2. SHELL : NICKEL PLATED
 - 2-3. SPRING : SILVER PLATED
3. ELECTRICAL SPECIFICATION :
 - 3-1. Rated current : 2A
 - 3-2. Rated voltage : 12V

DRAW	Sony	APPVL	Fido Weng	UNIT	mm	TOLERANCE	.x ±0.20 .xx ±0.10 .xxx ±0.05 .xxxx ±0.03 ANGULA ±1°	TITLE	MiniDin 8(F)雙耳鎖板式			SHEET	1/1
CHECK	Emily Suen			SCALE	1:1			PART NO.	MD-08F1-05	DWG NO.	QC0418	VERSION	B

