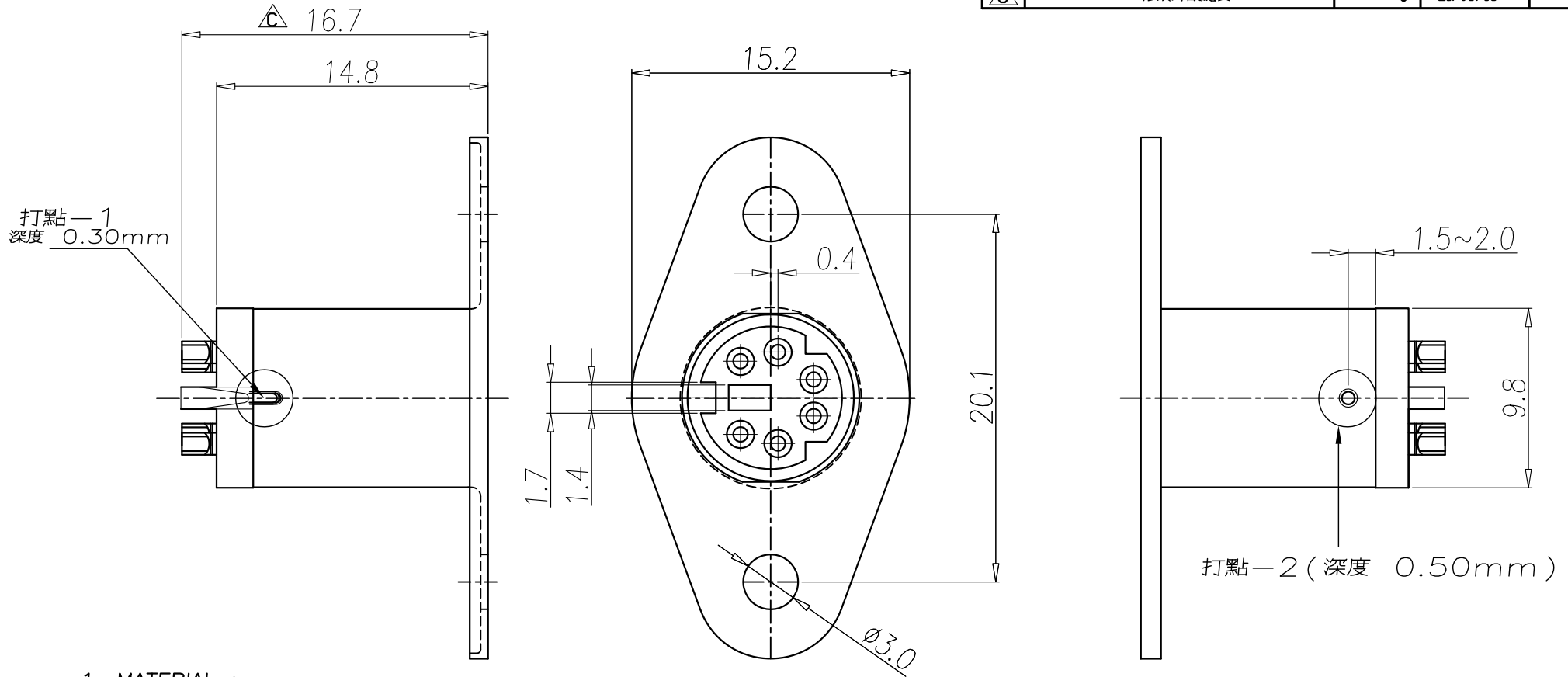


This document is the property of Nian-Yeong Corporation and is delivered on the express condition that it is not to be disclosed, reproduced or used, in whole or in part, for manufacture or sale by anyone other than Nian-Yeong Corporation without its prior consent, and that no right is granted to disclose or to use any information in this document.

CUSTOMER DRAWING

REV.	DESCRIPTION	APPROVED BY	DATE	ECN NO.
A	RELEASE	Fido Weng	06/11/09'	
B	CHANGE DIM.	Emily Suen	26/07/11'	ECN11040
C	修改外觀總長	Fido Weng	21/06/13'	



1. MATERIAL :
 - 1-1. HOUSING : PBT UL94V-0 ; COLOR : BLACK
 - 1-2. CONTACT : PHOSPHOR BRONZE
 - 1-3. SHELL : BRASS
 - 1-4. SPRING : PHOSPHOR BRONZE
2. FINISH :
 - 2-1. CONTACT : GOLD FLASH PLATED.
UNDER PLATE : NICKEL
 - 2-2. SHELL : NICKEL PLATED
 - 2-3. SPRING : SILVER PLATED

DRAWN	Ku Chou	APP'D	Emily Suen	UNIT	mm	TOLERANCE	 NIAN YEONG ENTERPRISE 年永實業有限公司	TITLE	MINI DIN 6PIN (F) SOCKET			SHEET	 1/1
CHK'D	Emily Suen			SCALE	1:1	.x ±0.20 .xx ±0.10 .xxx ±0.03 .xxxx ±0.01 ANGULA ±1°		PART NO.	MD-06F1-01	DWG NO.	QC0416	VERSION	