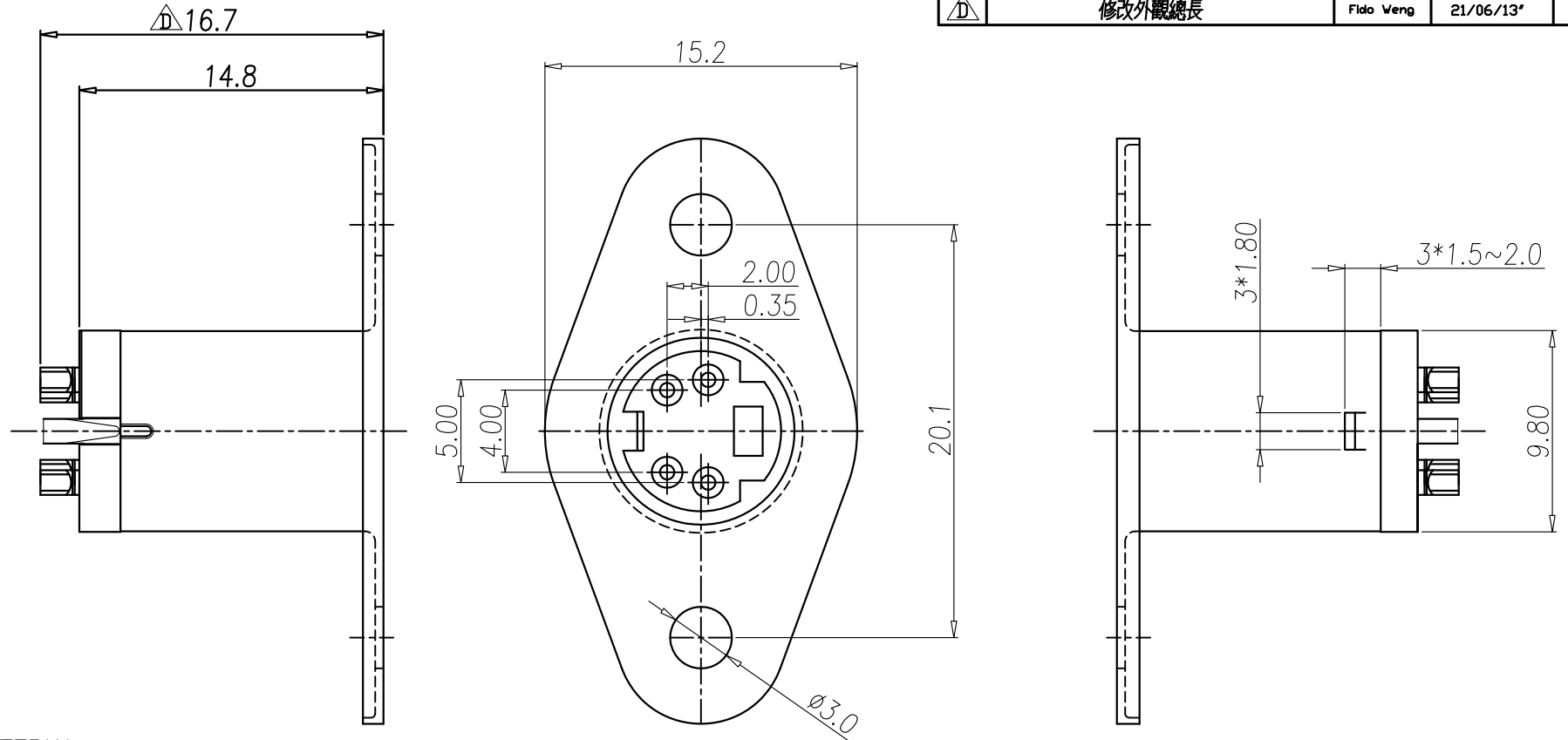


This document is the property of Nian-Yeong Corporation and is delivered on the express condition that it is not to be disclosed, reproduced or used, in whole or in part, for manufacture or sale by anyone other than Nian-Yeong Corporation without its prior consent, and that no right is granted to disclose or to use any information in this document.

CUSTOMER DRAWING

REV.	DESCRIPTION	APPROVED BY	DATE	ECN NO.
A	RELEASE	Fido Weng	06/11/09*	
B	CHANGE DIM.	Emily Suen	26/07/11*	ECN11040
C	CHANGE DIM.	Emily Suen	2/04/12*	
D	修改外觀總長	Fido Weng	21/06/13*	



1. MATERIAL :
 - 1-1. HOUSING : PBT UL94V-0 ; COLOR : BLACK
 - 1-2. CONTACT : PHOSPHOR BRONZE
 - 1-3. SHELL : BRASS
 - 1-4. SPRING : PHOSPHOR BRONZE
2. FINISH :
 - 2-1. CONTACT : GOLD FLASH PLATED.
UNDER PLATE : NICKEL
 - 2-2. SHELL : SEE TABLE A
 - 2-3. SPRING : SILVER

TABLE A

MD-04F1-10	MiniDin 4(F)雙耳鎖板式	BLACK Cr.
MD-04F1-06	MiniDin 4(F)雙耳鎖板式	NICKEL
P/N	DESCRIPTION	SHELL

DRAWN	APP'D	UNIT	mm	TOLERANCE	TITLE		SHEET			
Ku Chou	Emily Suen	SCALE	1:1	.x ±0.20 .xx ±0.10 .xxx ±0.03 .xxxx ±0.01 ANGULA ±1°	MiniDin 4(F)雙耳鎖板式		1			
CHK'D	Emily Suen				PART NO.	SEE TABLE A	DWG NO.	QC0414	VERSION	D

