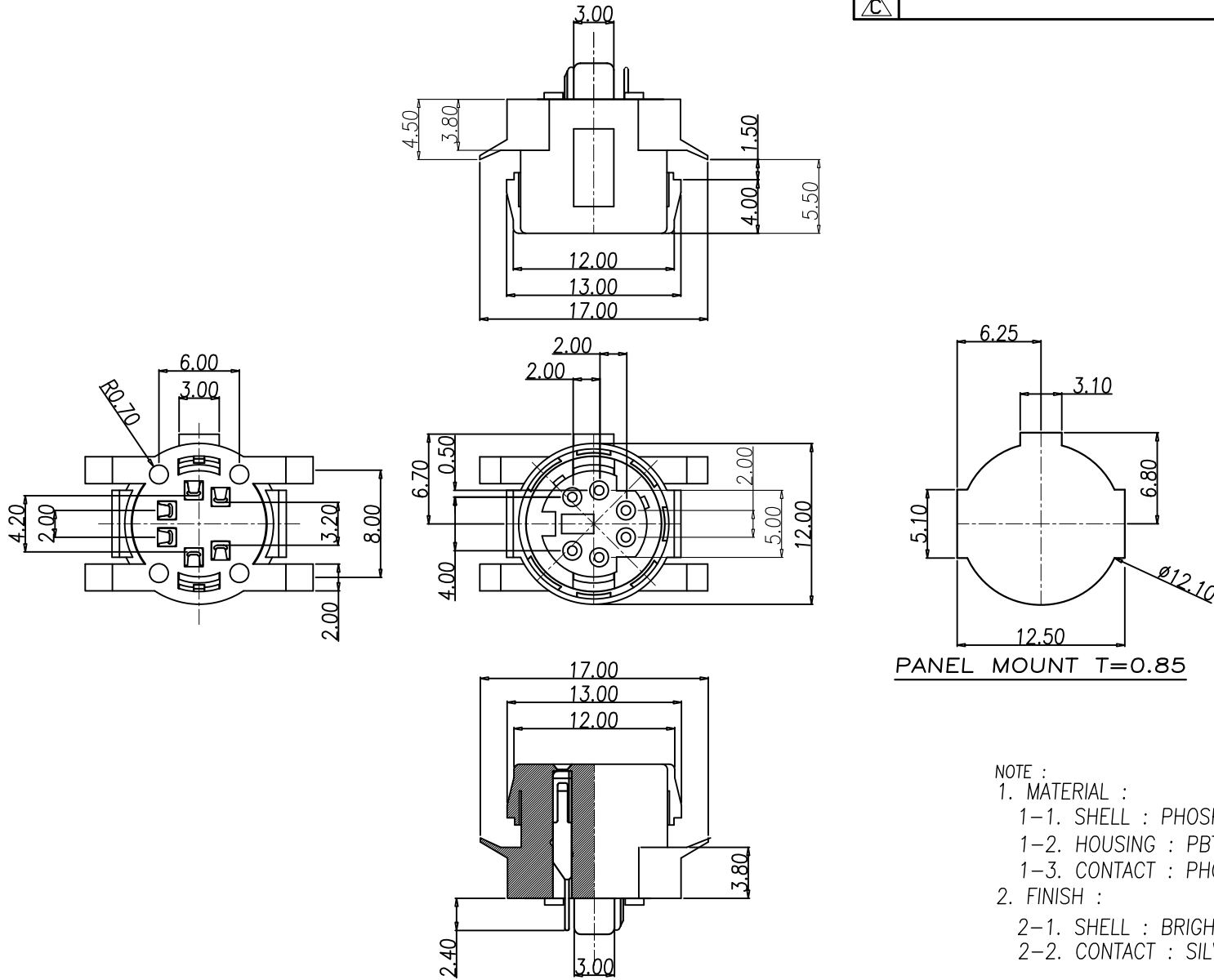


This document is the property of Nian-Yeong Corporation and is delivered on the express condition that it is not to be disclosed, reproduced or used, in whole or in part, for manufacture or sale by anyone other than Nian-Yeong Corporation without its prior consent, and that no right is granted to disclose or to use any information in this document.

CUSTOMER DRAWING

REV.	DESCRIPTION	APPVL. BY	DATE	ECN NO.
A				
B				
C				



PANEL MOUNT T=0.85

NOTE :

- MATERIAL :
  - 1-1. SHELL : PHOSPHOR BRONZE
  - 1-2. HOUSING : PBT+15%GF UL94V-0
  - 1-3. CONTACT : PHOSPHOR BRONZE
- FINISH :
  - 2-1. SHELL : BRIGHT TIN PLATED
  - 2-2. CONTACT : SILVER PLATED

DRAW	Emily Suen	APPVL	Ku Chou	UNIT	mm	TOLERANCE		TITLE	MINI DIN 6PIN (F)扣板式			SHEET	
CHECK	Emily Suen			SCALE	1:1	.x ±0.20 .xx ±0.10 .xxx ±0.05 .xxxx ±0.03 ANGULA ±1°		PART NO.	MD-06F2-04	DWG NO.	QC3081	VERSION	

NIAN YEONG ENTERPRISE  
年永實業有限公司