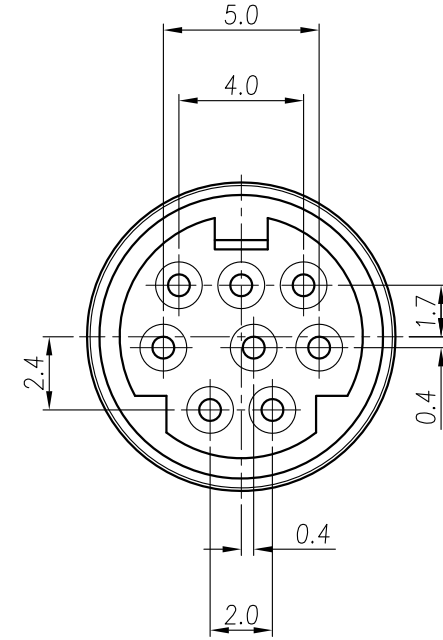
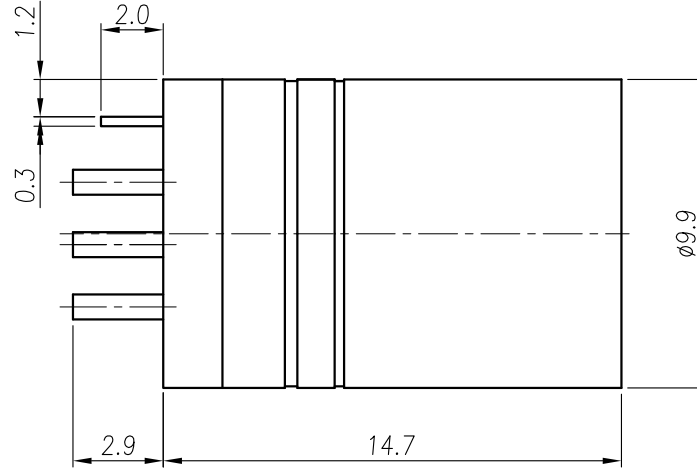
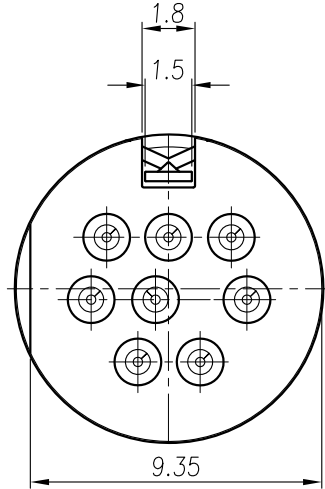


This document is the property of Nian-Yeong Corporation and is delivered on the express condition that it is not to be disclosed, reproduced or used, in whole or in part, for manufacture or sale by anyone other than Nian-Yeong Corporation without its prior consent, and that no right is granted to disclose or to use any information in this document.

CUSTOMER DRAWING

REV.	DESCRIPTION	APPROVED BY	DATE	ECN NO.
A	RELEASE & CHANGE DIM.	Fido Weng	10/21/11'	ECN11057
B	ADD P/N	Emily Suen	26/12/11'	
C	修改外觀	Emily Suen	04/10/12'	ECN12027



NOTE :

- MATERIAL :
 - HOUSING : PBT UL94V-0 ; COLOR : BLACK
 - CONTACT : PHOSPHOR BRONZE
 - SHELL : BRASS
 - SPRING : PHOSPHOR BRONZE
- FINISH :
 - CONTACT : SEE TABLE A
 - SHELL : NICKEL PLATED
 - SPRING : SILVER PLATED

TABLE A

P/N	DESCRIPTION	FINISH	SPRING
MD-08F1-12	MD 8S(銀)成品 無彈片	SILVER PLATED	NO
MD-08F1-11	MD 8S(表金)成品	GOLD FLASH PLATED	YES
MD-08F1-07	MD 8S(銀)成品	SILVER PLATED	YES

DRAWN	Ku Chou	APP'D	Emily Suen	UNIT	mm	TOLERANCE	.x ±0.20 .xx ±0.10 .xxx ±0.03 .xxxx ±0.01 ANGULA ±1°	TITLE	MINI DIN 8PIN (F)			SHEET	1
CHK'D	Emily Suen			SCALE	1:1			PART NO.	SEE TABLE A	DWG NO.	QC0012	VERSION	C
				 NIAN YEONG ENTERPRISE 年永實業有限公司									