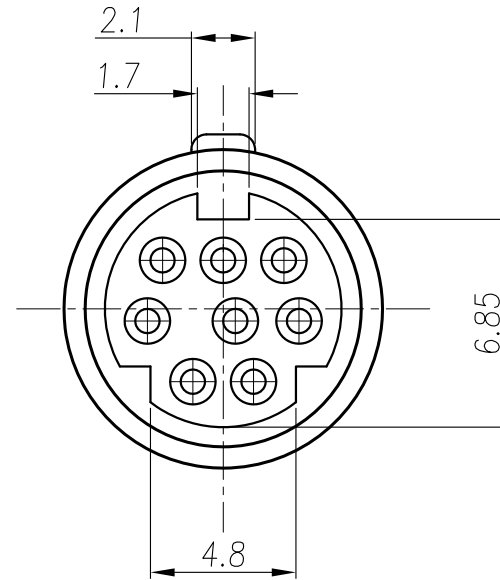
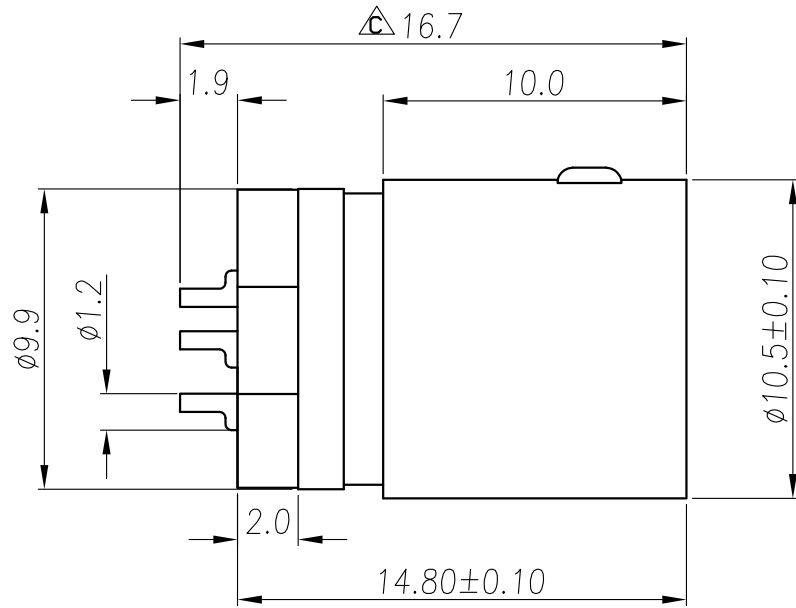


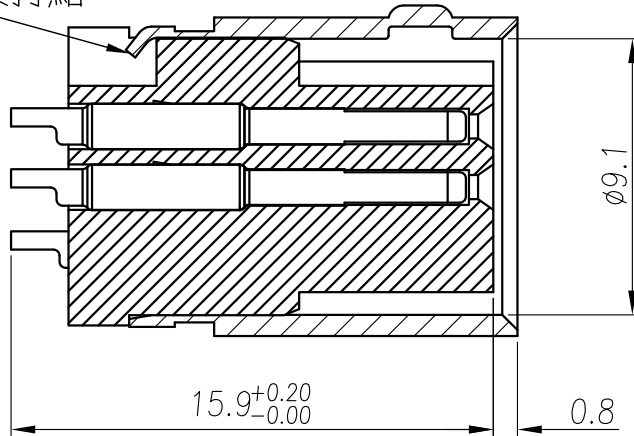
This document is the property of Nian-Yeong Corporation and is delivered on the express condition that it is not to be disclosed, reproduced or used, in whole or in part, for manufacture or sale by anyone other than Nian-Yeong Corporation without its prior consent, and that no right is granted to disclose or to use any information in this document.

CUSTOMER DRAWING

REV.	DESCRIPTION	APPROVED BY	DATE	ECN NO.
A	RELEASE	Fido Weng	22/12/08'	
B	CHANGE CONTACT TYPE	Emily Suen	03/07/12'	ECN12015
C	修改外觀總長	Fido Weng	21/06/13'	



此處需要打點



- MATERIAL :
 - HOUSING : PBT UL94V-0 ; COLOR : BLACK
 - CONTACT : PHOSPHOR BRONZE
 - SHELL : BRASS
- FINISH :
 - CONTACT : SEE TABLE A
UNDER PLATE : NICKEL
 - SHELL : NICKEL PLATED OVER ALL

TABLE A

MD-08F1-10	GOLD FLASH PLATED
MD-08F1-06	SILVER PLATED
P/N	FINISH

DRAWN	Ku Chou	APPEND	Emily Suen	UNIT	mm	TOLERANCE	NIAN YEONG ENTERPRISE		TITLE	MiniDin 8(F) 0.7厚 無彈片 系列			SHEET
CHOKED	Emily Suen			SCALE	1:1	.x ±0.20 .xx ±0.10 .xxx ±0.05 .xxxx ±0.03 ANGULA ±1°	年永實業有限公司		PART NO.	SEE TABLE A	DWG NO.	QC0155	VERSION C