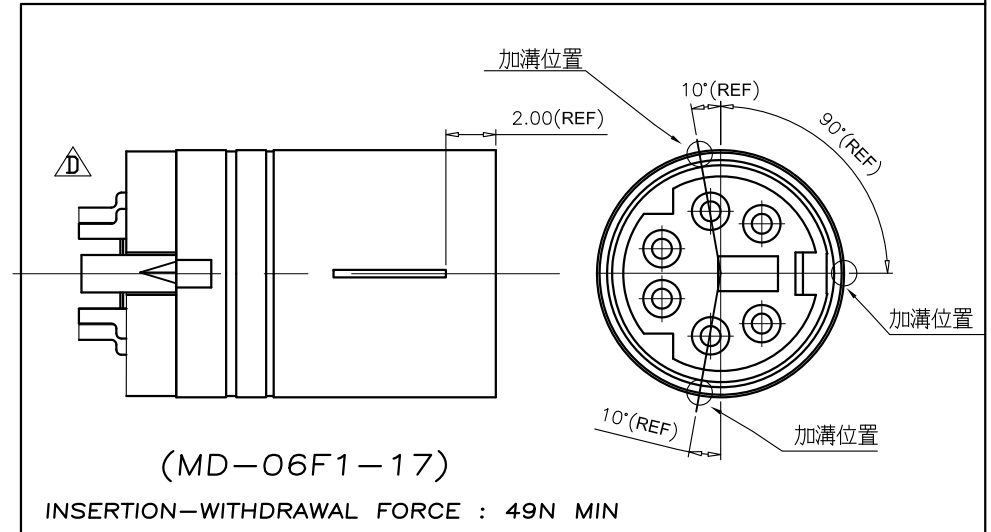
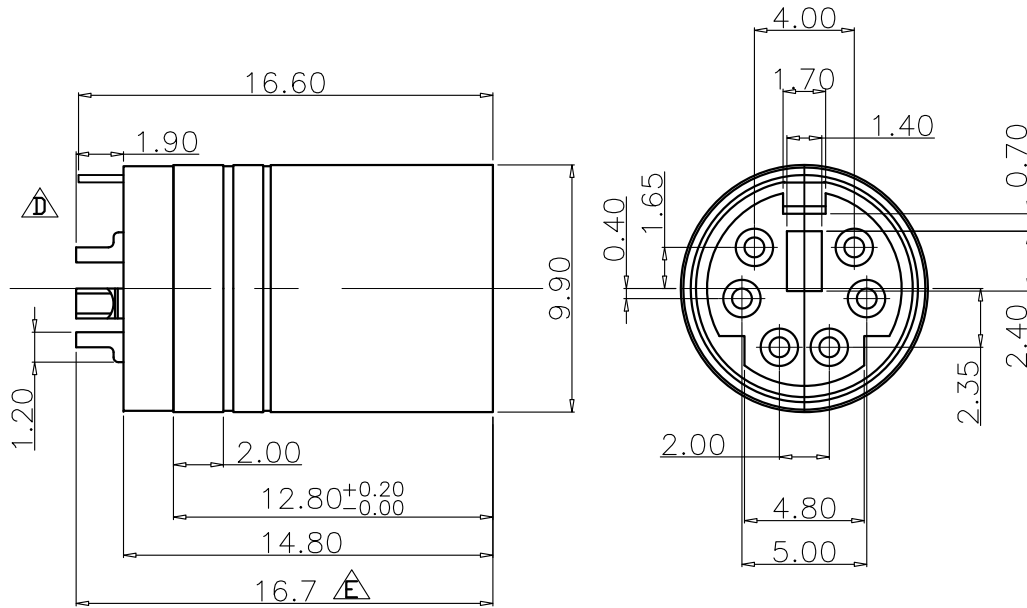


This document is the property of Nian-Yeong Corporation and is delivered on the express condition that it is not to be disclosed, reproduced or used, in whole or in part, for manufacture or sale by anyone other than Nian-Yeong Corporation without its prior consent, and that no right is granted to disclose or to use any information in this document.

CUSTOMER DRAWING

REV.	DESCRIPTION	APPVL. BY	DATE	ECN NO.
D	端子改杯口	Fido Weng	18/04/13'	ECN13006
E	修改外觀總長	Fido Weng	21/06/13'	
F	變更 SPRING PLATING	Fido Weng	03/12/13'	ECN13022
G	MODIFY TABLE	Fido Weng	16/12/13'	



- MATERIAL :
 - HOUSING : THERMOPLASTIC UL94V-0 ; COLOR : BLACK
 - CONTACT : PHOSPHOR BRONZE
 - SHELL : BRASS.
 - SPRING : PHOSPHOR BRONZE
- FINISH :
 - CONTACT : SEE TABEL A
UNDER PLATE : NICKEL
SOLDER AREA : MATTE TIN 50u"
 - SHELL : NICKEL 60u"
 - SPRING : SILVER 5u" MINIMUM
- ELECTRICAL SPECIFICATION :
 - Rated current : 2A
 - Rated Voltage : 12V
- Environmental :
 - Operation Temperature : -20℃~85℃

G

TABLE A

MD-06F1-17	SILVER 30 MICRO INCHES MIN
MD-06F1-07	GOLD 30 MICRO INCHES MIN
MD-06F1-06	SILVER 30 MICRO INCHES MIN
MD-06F1-04	GOLD FLASH / 半金鍍
P/N	CONTACT AREA

DRAW	Ting	APPVL	Emily Suen	UNIT	mm	TOLERANCE	.x ±0.20 .xx ±0.10 .xxx ±0.05 .xxxx ±0.03 ANGULA ±1°	TITLE	MINI DIN 6PIN (F)			SHEET	1/1
CHECK	Emily Suen			SCALE	1:1			PART NO.	SEE TABLE A	DWG NO.	QC0010	VERSION	G
NIAN YEONG ENTERPRISE 年永實業有限公司													