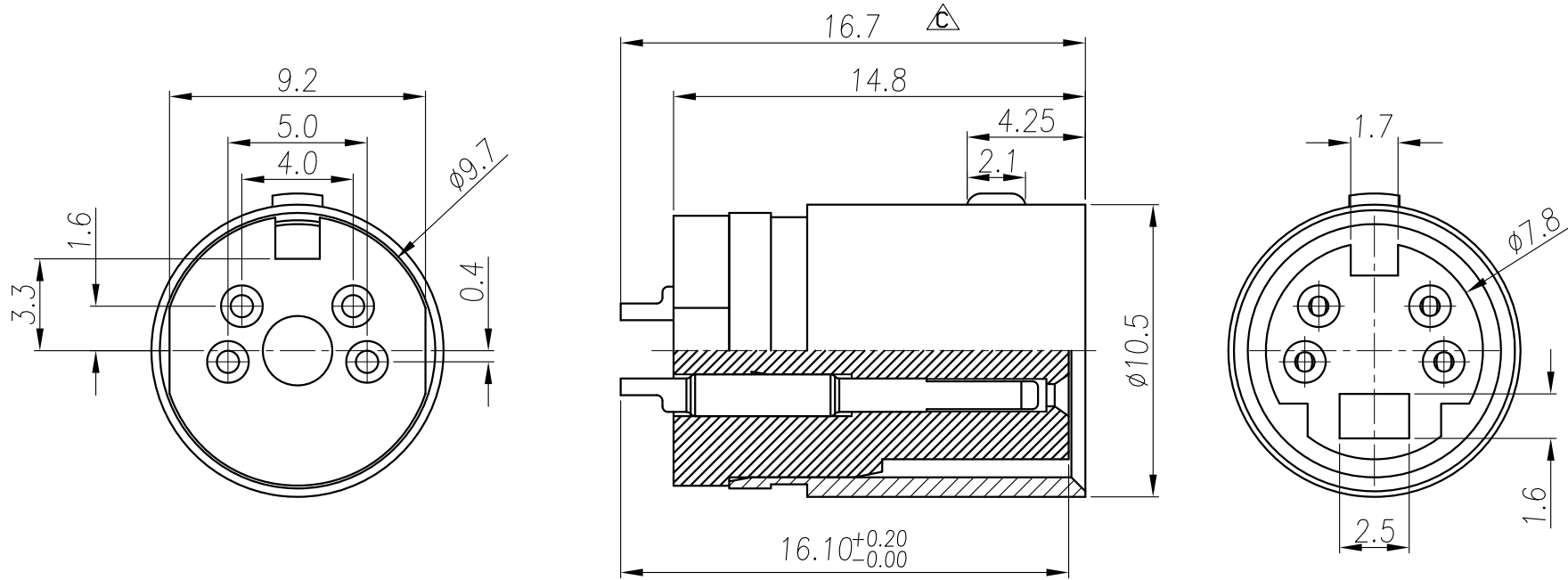


This document is the property of Nian-Yeong Corporation and is delivered on the express condition that it is not to be disclosed, reproduced or used, in whole or in part, for manufacture or sale by anyone other than Nian-Yeong Corporation without its prior consent, and that no right is granted to disclose or to use any information in this document.

CUSTOMER DRAWING

| REV. | DESCRIPTION   | APPROVED BY | DATE      | ECN NO.  |
|------|---------------|-------------|-----------|----------|
| A    | RELEASE       | Fido Weng   | 22/12/08' | ECN10134 |
| B    | 改變端子焊杯 & 膠芯溝槽 | Fido Weng   | 29/12/12' |          |
| C    | 修改外觀總長        | Fido Weng   | 21/06/13' |          |



1. MATERIAL :
  - 1-1. HOUSING : PBT UL94V-0 ; COLOR : BLACK
  - 1-2. CONTACT : PHOSPHOR BRONZE
  - 1-3. SHELL : BRASS
2. FINISH :
  - 2-1. CONTACT : SEE TABLE A  
UNDER PLATE : NICKEL
  - 2-2. SHELL : NICKEL PLATED OVER ALL

TABLE A

|            |                 |
|------------|-----------------|
| MD-04F1-09 | GOLD FLASH      |
| MD-04F1-03 | SILVER          |
| P/N        | CONTACT PLATING |

|       |            |       |           |      |       |                      |  |          |                        |         |  |        |
|-------|------------|-------|-----------|------|-------|----------------------|--|----------|------------------------|---------|--|--------|
| DRAWN | Jen Xie    | APP'D | Fido Weng | UNIT | mm    | TOLERANCE            |  | TITLE    | MiniDin 4(F) 凸0.7厚 無彈片 | SHEET   |  |        |
| CHK'D | Emily Suen | SCALE | 1:1       | .x   | ±0.20 | ENTERPRISE CO., LTD. |  | PART NO. | SEE TABLE A            | DWG NO. |  | QC0151 |