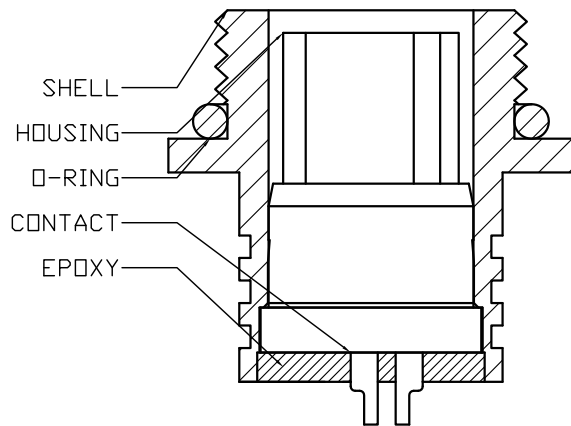
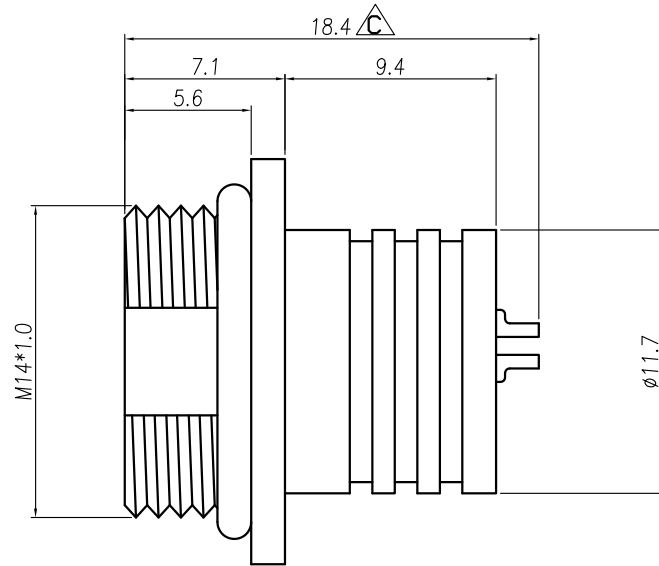
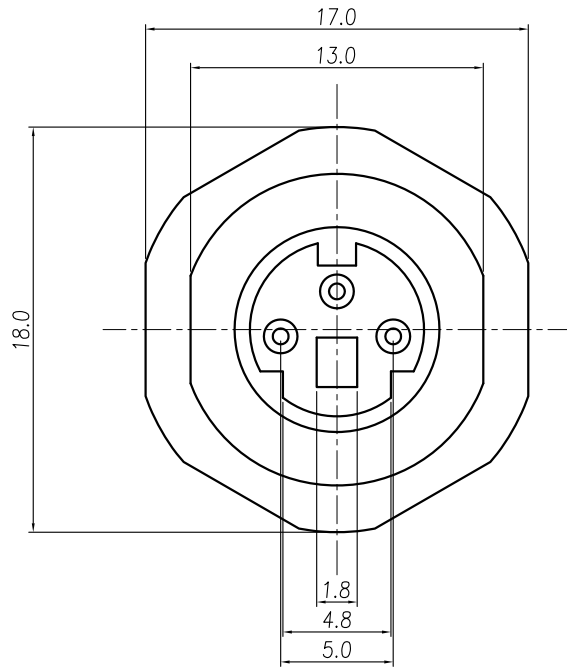


This document is the property of Nian-Yeong Corporation and is delivered on the express condition that it is not to be disclosed, reproduced or used, in whole or in part, for manufacture or sale by anyone other than Nian-Yeong Corporation without its prior consent, and that no right is granted to disclose or to use any information in this document.

CUSTOMER DRAWING

REV.	DESCRIPTION	APPROVED BY	DATE	ECN NO.
A	RELEASE	Fido Weng	11/02/10'	
B	CHANGE DIM.	Emily Suen	08/09/11'	ECN11050
C	CHANGE DIM.	Emily Suen	12/01/17'	



1. MATERIAL :
 - 1-1. HOUSING : PBT UL94V-0 ; COLOR : BLACK
 - 1-2. CONTACT : PHOSPHOR BRONZE
 - 1-3. SHELL : BRASS
 - 1-4. O-RING : EPDM ; COLOR : BLACK
2. FINISH :
 - 2-1. CONTACT AREA : GOLD FLASH PLATED
SOLDER AREA : MATTE-TIN PLATED.
 - 2-2. SHELL : NICKEL PLATED.
3. ELECTRICAL SPECIFICATION :
 - 3-1. Rated current : 2A
 - 3-2. Rated Voltage : 12V
 - 3-3. Water proof : IPX7
4. Environmental :
 - 4-1. Operation Temperature : $-20^{\circ}\text{C} \sim 85^{\circ}\text{C}$

DRAWN	Ku Chou	APP'D	Fido Weng	UNIT	mm	TOLERANCE		TITLE	MiniDin 3(F)防水線式			SHEET
CHK'D	Emily Suen			SCALE	1:1	.x ±0.20 .xx ±0.10 .xxx ±0.05 .xxxx ±0.03 ANGULA ±1°		PART NO.	MD-03F1-07	DWG NO.	QC4651	VERSION
								NIAN YEONG ENTERPRISE				1
								年永實業有限公司				C