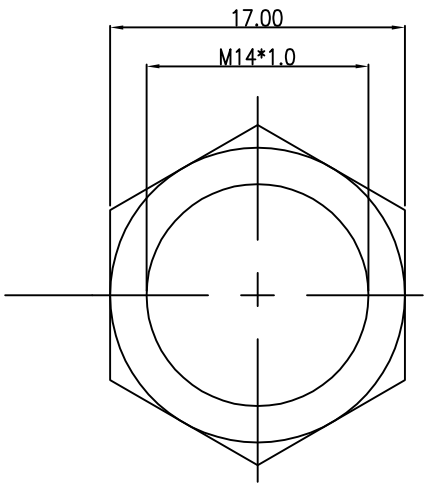
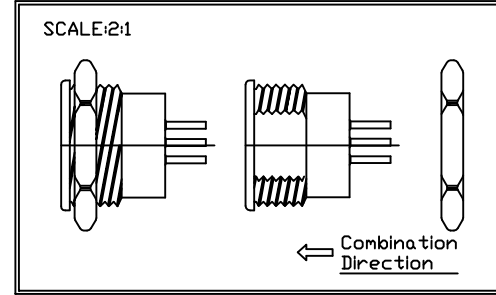
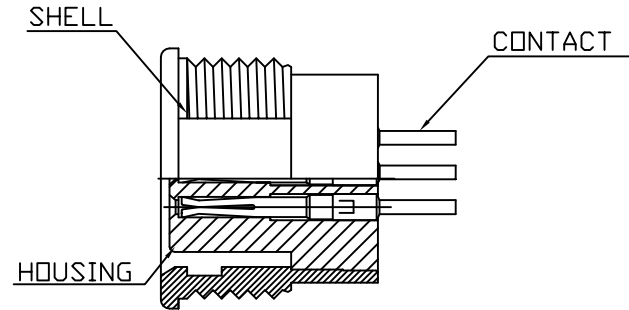
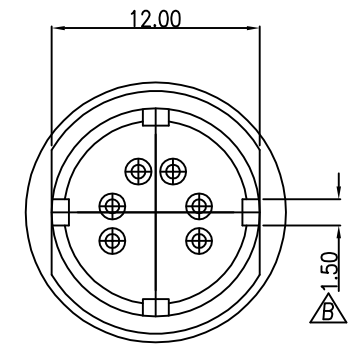
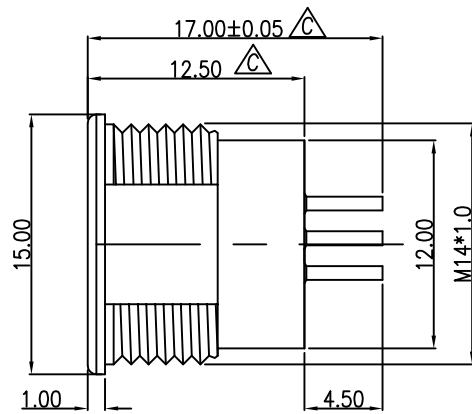
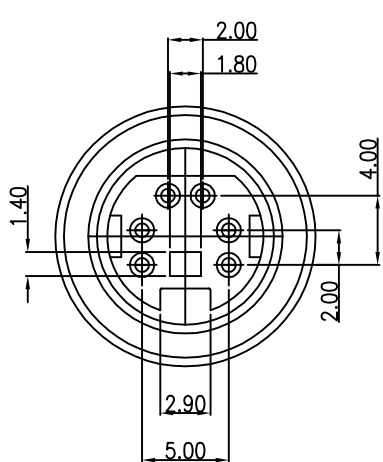


This document is the property of Nian-Yeong Corporation and is delivered on the express condition that it is not to be disclosed, reproduced or used, in whole or in part, for manufacture or sale by anyone other than Nian-Yeong Corporation without its prior consent, and that no right is granted to disclose or to use any information in this document.

# CUSTOMER DRAWING

REV.	DESCRIPTION	APPL. BY	DATE	ECN NO.
A	RELEASE	Fideo Weng	16/03/'09	
B	增加打點	Emily Suen	02/05/12*	ECN12007
C	尺寸改變	Emily Suen	14/02/17*	ECN17001



NUT

- MATERIAL :
  - 1-1. HOUSING : PBT UL94V-0 ; COLOR : BLACK
  - 1-2. CONTACT : PHOSPHOR BRONZE
  - 1-3. SHELL : BRASS
  - 1-4. NUT : BRASS
- FINISH :
  - 2-1. CONTACT : GOLD FLASH PLATED OVER NICKEL
  - 2-2. SHELL : NICKEL PLATED
  - 2-3. NUT : NICKEL PLATED
- ELETRICAL SPECIFICATION :
  - 3-1. Rated current : 1A
  - 3-2. Rated voltage : 60V
- Environmental :
  - 4-1. Operation Temperature : -20℃~85℃

DRAW	Ku Chou	APPVL	Emily Suen	UNIT	mm	TOLERANCE		<b>NIAN YEONG ENTERPRISE</b> 年永實業有限公司	TITLE	POWER DIN 6(F)LOCK TYPE(ON BOARD)			SHEET
CHECK	Emily Suen			SCALE	1:1	.x ±0.20 .xx ±0.10 .xxx ±0.05 .xxxx ±0.01 ANGULA ±1°			PART NO.	PD-06F5-01	DWG NO.	QC1654	VERSION