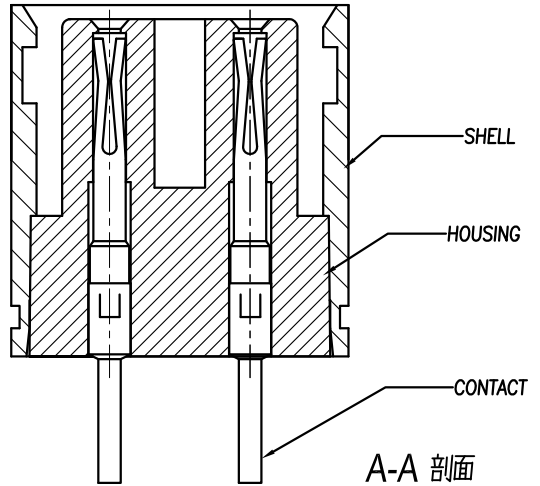
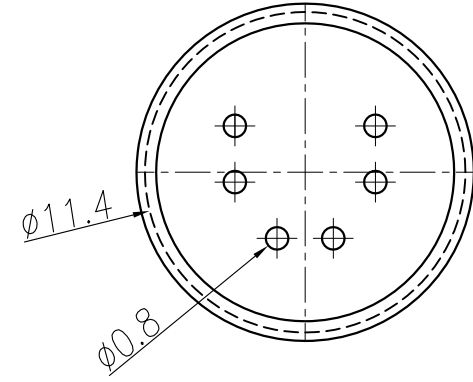
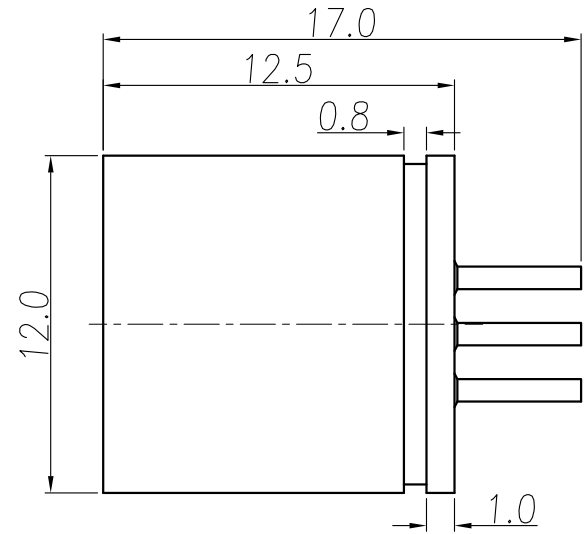
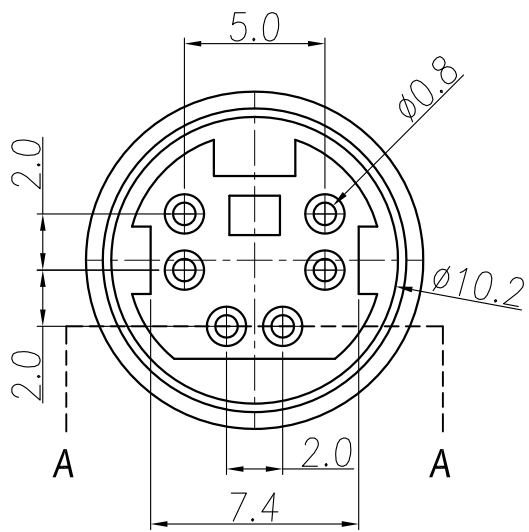


This document is the property of Nian-Yeong Corporation and is delivered on the express condition that it is not to be disclosed, reproduced or used, in whole or in part, for manufacture or sale by anyone other than Nian-Yeong Corporation without its prior consent, and that no right is granted to disclose or to use any information in this document.

CUSTOMER DRAWING

REV.	DESCRIPTION	APPROVED BY	DATE	ECN NO.
A	RELEASE	Fido Weng	22/12/08*	
B				
C				



1. MATERIAL :
 - 1-1. HOUSING : PBT+15%GF ; COLOR : BLACK
 - 1-2. CONTACT : PHOSPHOR BRONZE
 - 1-3. SHELL: BRASS
2. FINISH :
 - 2-1. CONTACT : GOLD FLASH
 - 2-2. SHELL : NICKEL PLATED 100u" OVER ALL
3. ELETRICAL SPECICATION :
 - 3-1. Rated current : 1A
 - 3-2. Rated voltage : 60V
4. Environmental :
 - 4-1. Operation Temperature : -20°C~85°C

DRAWN	Angus	APP'D	Ku Chou	UNIT	mm	TOLERANCE		TITLE	POWER DIN 6(F)LOCK TYPE			SHEET
CHK'D	Emily Suen			SCALE	1:1	.x ±0.20 .xx ±0.10 .xxx ±0.05 .xxxx ±0.03 ANGULA ±1°		PART NO.	PD-06F1-01	DWG NO.	QC1695	VERSION A
								NIAN YEONG ENTERPRISE				
								年永實業有限公司				