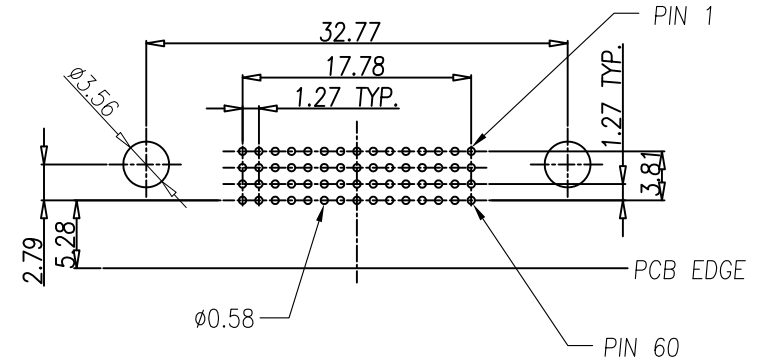
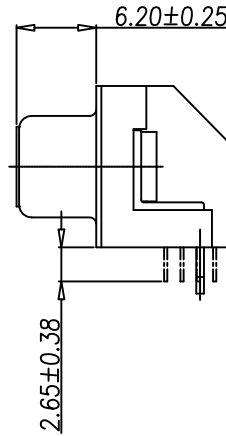
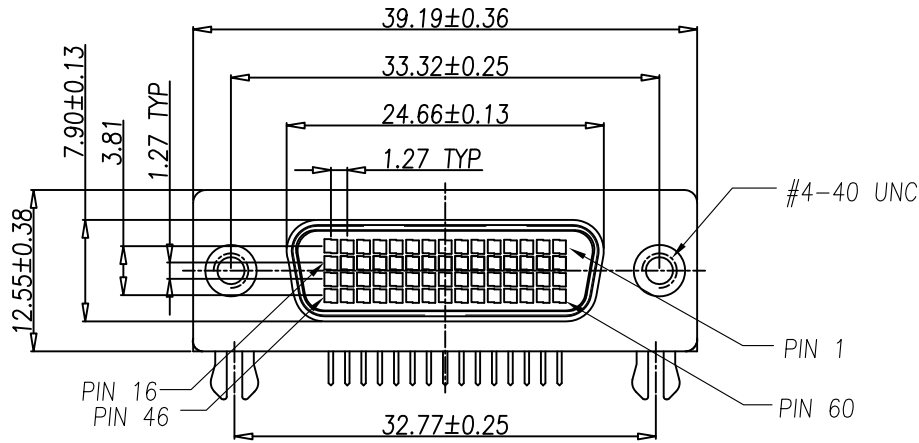


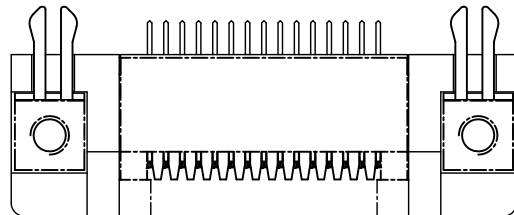
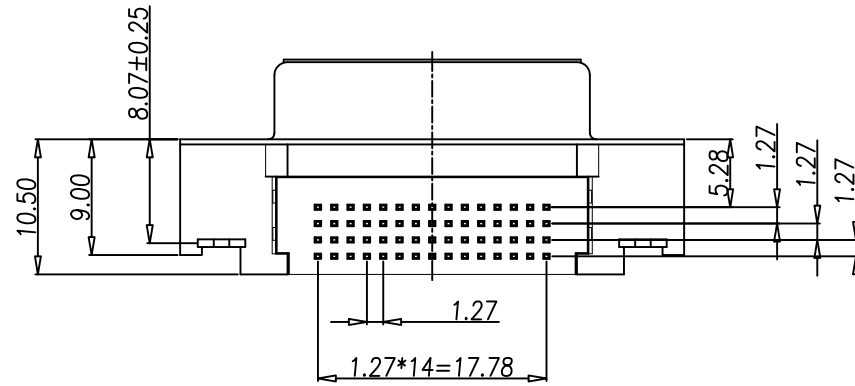
This document is the property of Nian-Yeong Corporation and is delivered on the express condition that it is not to be disclosed, reproduced or used, in whole or in part, for manufacture or sale by anyone other than Nian-Yeong Corporation without its prior consent, and that no right is granted to disclose or to use any information in this document.

CUSTOMER DRAWING

REV.	DESCRIPTION	APPVL. BY	DATE	ECN NO.
A	RELEASE	Fido Weng	22/12/08*	
B	CHANGE HOUSING COLOR	Fido Weng	14/05/09*	ECN09065
C				



RECOMMENED PCB LAYOUT
TOLERANCE ±0.05mm B



NOTES

1. MATERIAL :
 - 1-1. HOUSING : LCP UL94V-0 ; COLOR : GRAY WHITE
 - 1-2. CONTACT : PHOSPHOR BRONZE
 - 1-3. SHELL : SPCC
 - 1-4. BOARD LOCK : BRASS
 - 1-5. SCREW : BRASS
 - 1-6. COVER : LCP UL94V-0 ; COLOR : GRAY WHITE
2. FINISH :
 - 2-1. CONTACT :
 - CONTACT AREA : GOLD FLASH PLATED
 - SOLDER AREA : GOLD FLASH PLATED
 - UNDER PLATE : NICKEL
 - 2-2. SHELL : NICKEL PLATED.
 - 2-3. BOARD LOCK : BRIGHT TIN PLATED.
 - 2-4. SCREW : NICKEL PLATED

DRAW	Mark Kao	APPVL	Ku Chou	UNIT	mm	TOLERANCE		NIAN YEONG ENTERPRISE 年永實業有限公司	TITLE	RS-6000 60P (1.27) RIGHT ANGLE			SHEET	B
CHECK	Emily Suen			SCALE	1:1	.x ±0.20 .xx ±0.10 .xxx ±0.05 .xxxx ±0.03 ANGULA ±1°			PART NO.	LFH-60F1-03	DWG NO.	QC3054		