

This document is the property of Nian-Yeong Corporation and is delivered on the express condition that it is not to be disclosed, reproduced or used, in whole or in part, for manufacture or sale by anyone other than Nian-Yeong Corporation without its prior consent, and that no right is granted to disclose or to use any information in this document.

CUSTOMER DRAWING

REV.	DESCRIPTION	APPROVED BY	DATE	ECN NO.
A	RELEASE	Fido Weng	22/12/08*	
B				
C				

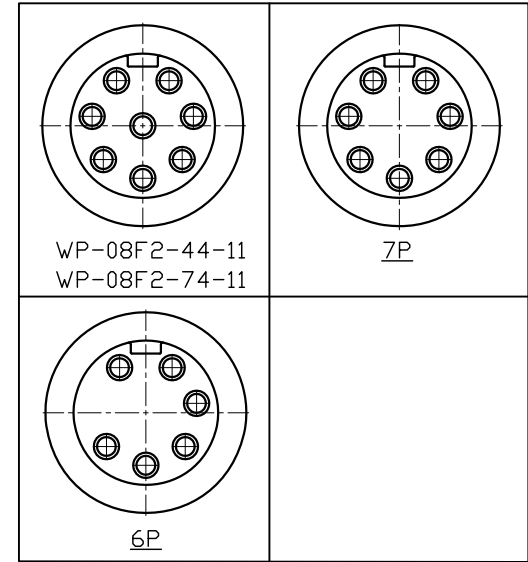
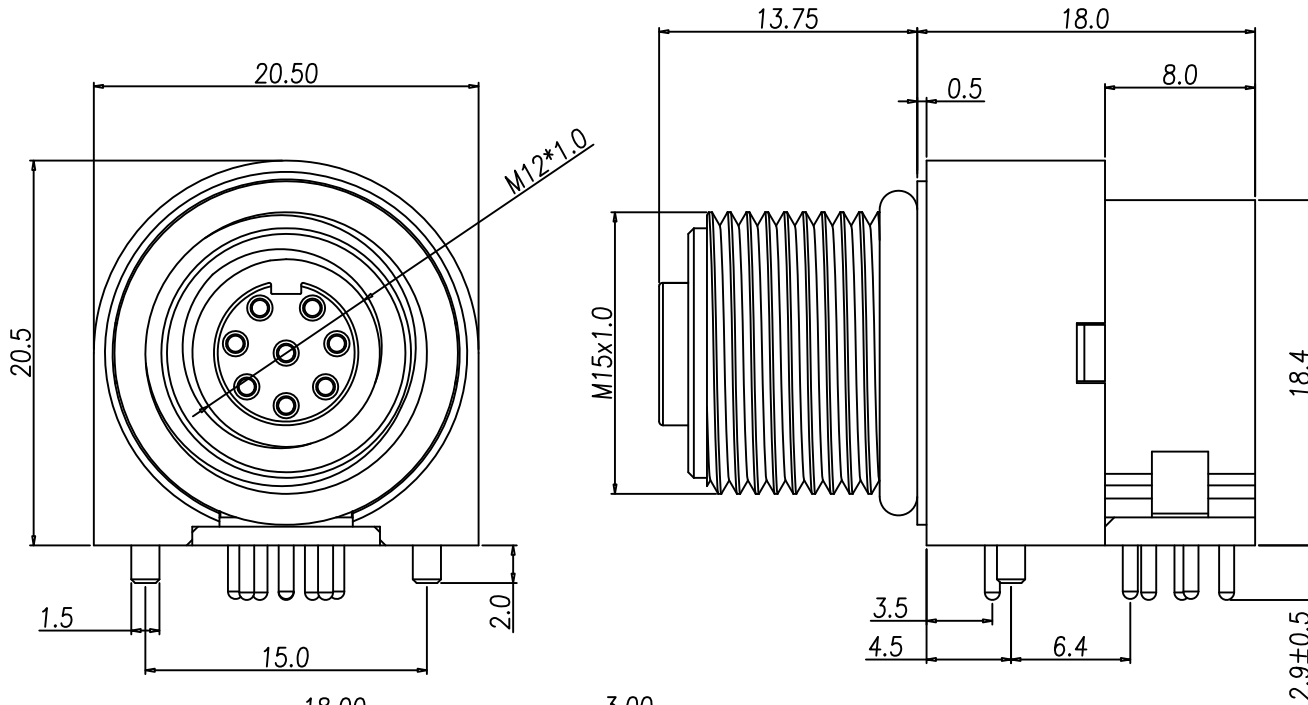
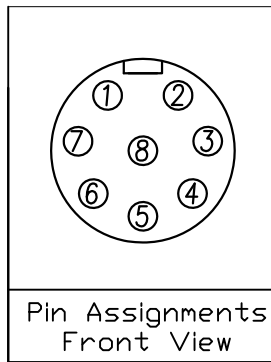


TABLE A

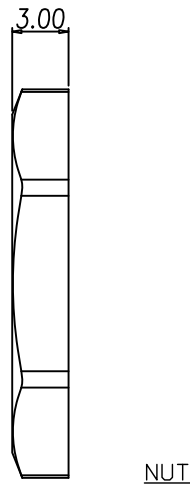
WP-08F2-74-11	GOLD FLISH
WP-08F2-44-11	GOLD 10u"
PART NO	FINISH

NOTE:

- MATERIAL :
  - HOUSING : PBT UL94V-0 ; COLOR : BLACK
  - CONTACT : BRASS
  - NUT : BRASS
  - SHELL : BRASS
  - O-RING : EPDM ; COLOR : BLACK
  - BACK HOUSING : PBT UL94V-0 ; COLOR : BLACK
  - DOWN HOUSING : PBT UL94V-0 ; COLOR : BLACK
- FINISH :
  - CONTACT : SEE TABLE A
  - UNDER PLATE : NICKEL
  - NUT : NICKEL 80u"~100u" ON OVER ALL
  - SHELL : STAIN NICKEL 80u"~100u" ON OVER ALL
- ELECTRICAL SPECIFICATION :
  - Rated current : 2A
  - Rated Voltage : 30V
  - Water proof: IPX7
- Environmental :
  - Operation Temperature : -40~85°

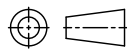


Pin Assignments Front View



NUT

DRAWN	Yeh Chou	APPEND	Emily Suen	UNIT	mm	TOLERANCE	.x ±0.20 .xx ±0.10 .xxx ±0.05 .xxxx ±0.03 ANGULA ±1°
CHK'D	Emily Suen			SCALE	1:1		



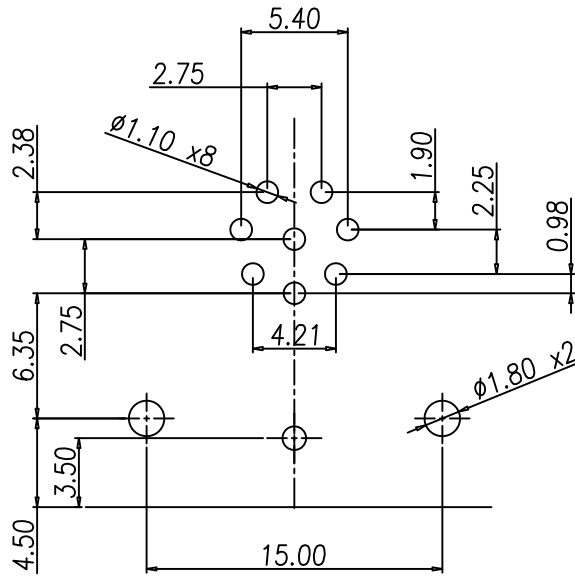
NIAN YEONG ENTERPRISE  
年永實業有限公司

TITLE	WATERPROOF M12*1.0 (F) 90度板端			SHEET
PART NO.	SEE TABLE A	DWG NO.	QC6536	1/3
				VERSION A

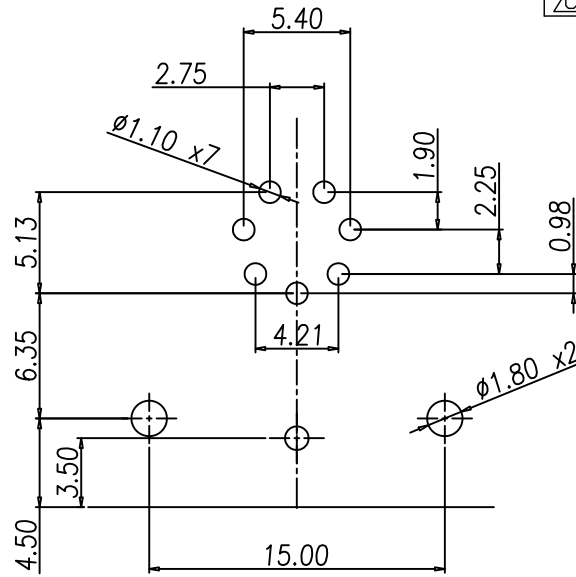
This document is the property of Nian-Yeong Corporation and is delivered on the express condition that it is not to be disclosed, reproduced or used, in whole or in part, for manufacture or sale by anyone other than Nian-Yeong Corporation without its prior consent, and that no right is granted to disclose or to use any information in this document.

CUSTOMER DRAWING

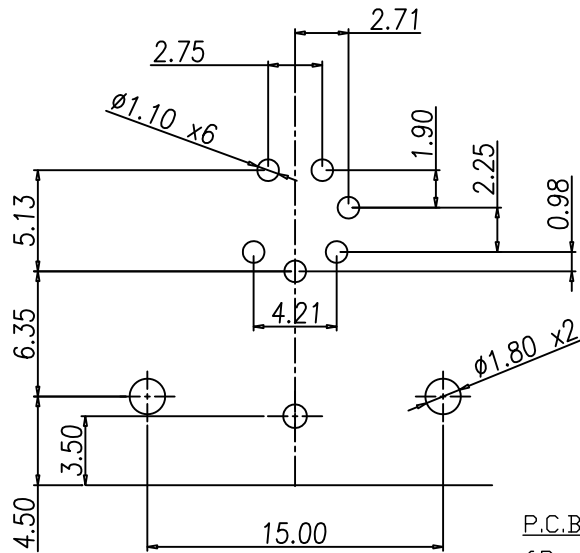
REV.	DESCRIPTION	APPROVED BY	DATE	ECN NO.
A				
B				
C				



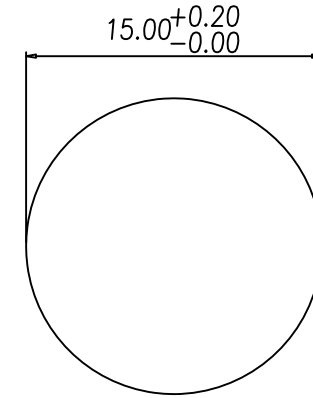
P.C.B LAYOUT  
8P



P.C.B LAYOUT  
7P



P.C.B LAYOUT  
6P



PANEL CUT-OUT

DRAWN	Yeh Chou	APPEND	Emily Suen	UNIT	P.C.B	TOLERANCE			<b>NIAN YEONG ENTERPRISE</b> 年永實業有限公司	TITLE	WATERPROOF M12*1.0 (F) 90度板端			SHEET	2/3
CHK'D	Emily Suen			SCALE	1:1	.xx ±0.10 .xxx ±0.05 .xxxx ±0.03 ANGULA ±1°				PART NO.	SEE TABLE A	DWG NO.	QC6536	VERSION	A

This document is the property of Nian-Yeong Corporation and is delivered on the express condition that it is not to be disclosed, reproduced or used, in whole or in part, for manufacture or sale by anyone other than Nian-Yeong Corporation without its prior consent, and that no right is granted to disclose or to use any information in this document.

CUSTOMER DRAWING

REV.	DESCRIPTION	APPVL. BY	DATE	ECN NO.
A	RELEASE	Fido Weng	29/12/15*	
B				
C				

步驟一:

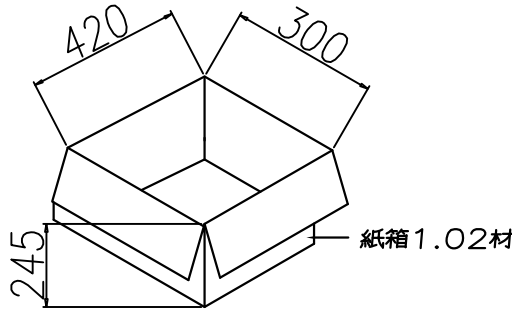
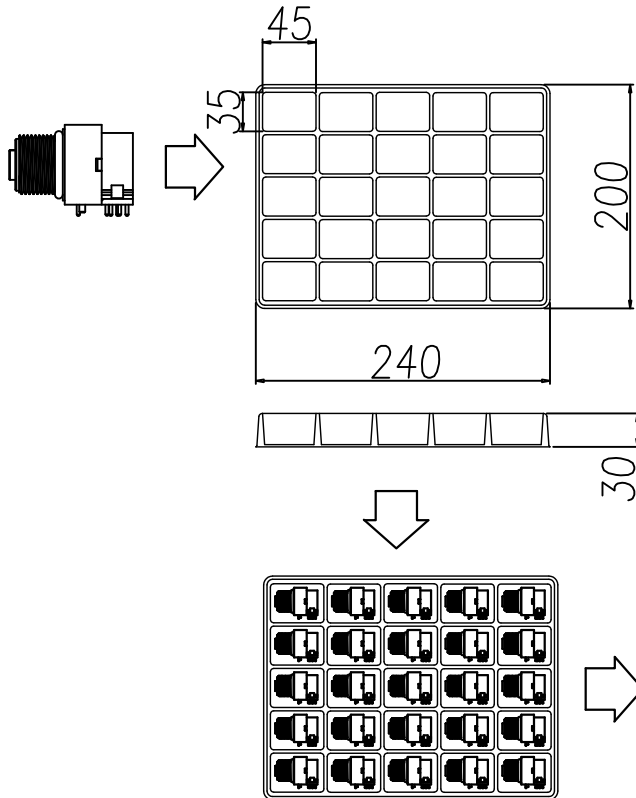
1. 將成品一一放入包裝盤內, 依同一方向置入.
2. 包裝方式, 如圖所示.
3. 一個包裝盤25pcs.
4. 裝滿盤後堆層至10盤止, 最上層為空盤做蓋子(共11盤)
5. 層疊11盤後, 在以膠膜固定

步驟二:

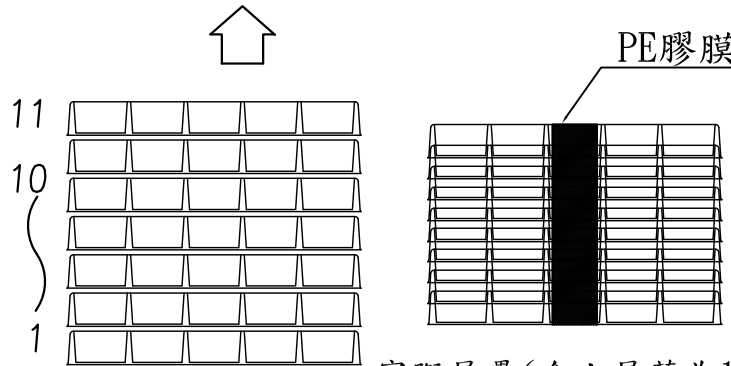
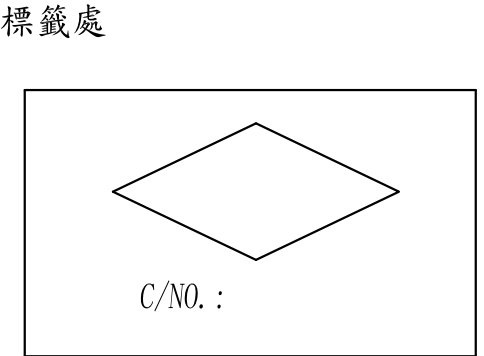
1. 一個紙箱可以裝20個包裝盤.
2. 每盤25pcs, 每箱500pcs.
3. 將包裝盤放紙箱中, 後封箱.

步驟三:

1. 用膠帶將紙箱封實.
2. 將標籤貼於紙箱上.



ITEM NO:  
 QTY: PGS  
 N. W. : KG  
 G. W. : KG  
 MEAS:



實際層疊(含上層蓋為11層)

NOTE:

1. 若有未裝滿之零數箱, 必須以緩衝材塞滿.
2. 在搬運過程中要輕拿輕放.
3. 載運輸中不可堆放過多, 不可有重壓現象.
4. PE膠膜纏繞時不可緊綁.
5. 紙箱內層需裝防水袋.

DRAW	Yeh Chou	APPVL	Emily Suen	UNIT	mm	TOLERANCE	 <b>NIAN YEONG ENTERPRISE</b> 年永實業有限公司	TITLE	WATERPROOF M12*1.0 (F) 90度板端			SHEET	3/3
CHECK	Emily Suen			SCALE	1:1	.x ±0.20 .xx ±0.10 .xxx ±0.05 .xxxx ±0.03 ANGULA ±1°		PART NO.	DWG NO.	QC6536	VERSION	A	