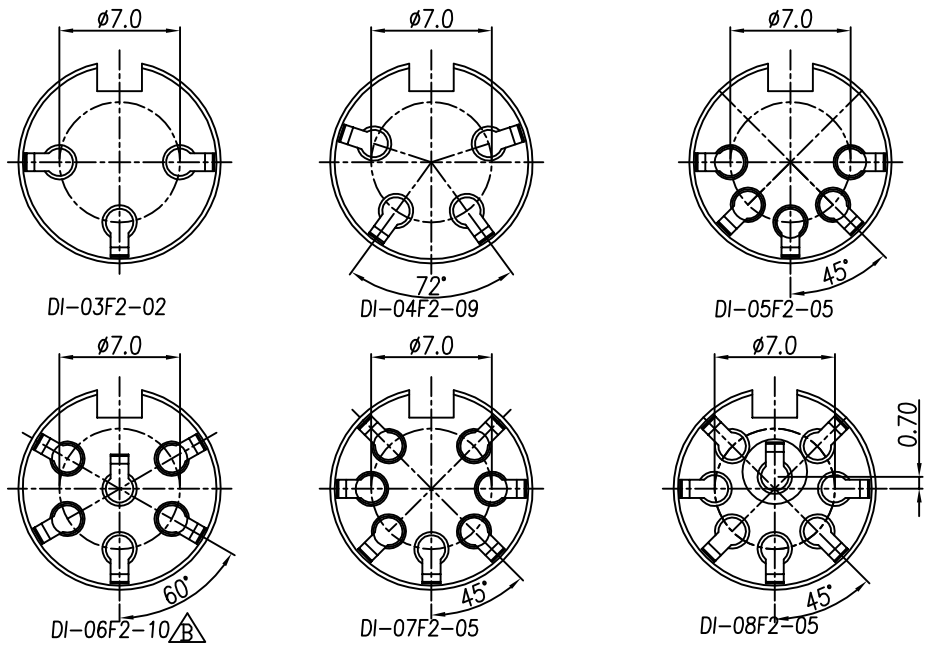
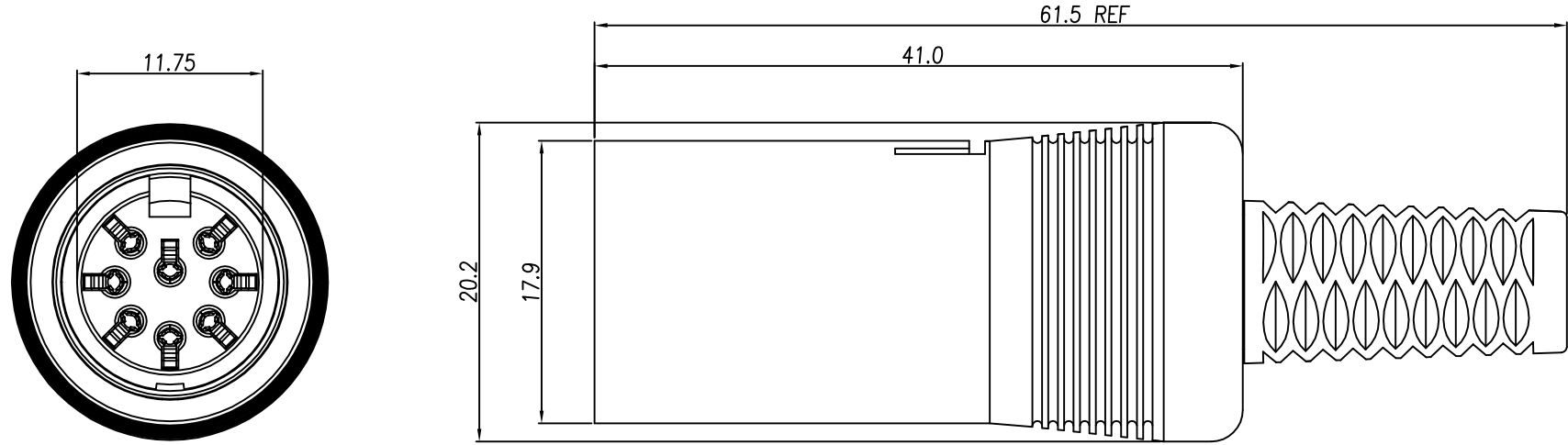


This document is the property of Nian-Yeong Corporation and is delivered on the express condition that it is not to be disclosed, reproduced or used, in whole or in part, for manufacture or sale by anyone other than Nian-Yeong Corporation without its prior consent, and that no right is granted to disclose or to use any information in this document.

CUSTOMER DRAWING

REV.	DESCRIPTION	APPROVED BY	DATE	ECN NO.
A	RELEASE	Emily Suen	12/10/12*	
B	修改膠芯孔位置	LEO	21/01/19*	ECN-19002
C				



- MATERIAL :
 - 1-1. HOUSING : NYLON UL94V-0 ; COLOR : BLACK
 - 1-2. CONTACT : PHOSPHOR BRONZE
 - 1-3. MAIN BODY : NYLON 66
 - 1-4. SHELL(BOTTOM) : BRASS
 - 1-5. SHELL(TOP) : BRASS
 - 1-6. SR : PVC ; COLOR : BLACK.
- FINISH :
 - 2-1. CONTACT : CONTACT AREA : GOLD FLASH PLATING
SOLDER AREA : TIN
UNDER PLATE : NICKEL
 - 2-2. SHELL(BOTTOM): NICKEL PLATED
 - 2-3. SHELL(TOP) : NICKEL PLATED
- ELECTRICAL SPECIFICATION :
 - 3-1. Rated current : 5A
 - 3-2. Rated voltage : 250V
- Environmental :
 - 3-1. OPERATION TEMPERATURE : -20°C~85°C

DRAWN	Mark Kao	APP'D	Ku Chou	UNIT	mm	TOLERANCE		NIAN YEONG ENTERPRISE 年永實業有限公司	TITLE	DIN PLUG (F) Assembly type			SHEET	1/3
CHK'D	Emily Suen			SCALE	1:1	.x ±0.20 .xx ±0.10 .xxx ±0.05 .xxxx ±0.03 ANGULA ±1°			PART NO.	SEE TABLE A	DWG NO.	QC6082	VERSION	B

This document is the property of Nian-Yeong Corporation and is delivered on the express condition that it is not to be disclosed, reproduced or used, in whole or in part, for manufacture or sale by anyone other than Nian-Yeong Corporation without its prior consent, and that no right is granted to disclose or to use any information in this document.

CUSTOMER DRAWING

REV.	DESCRIPTION	APPROVED BY	DATE	ECN NO.
A	RELEASE	Emily Suen	12/10/12'	
B				
C				

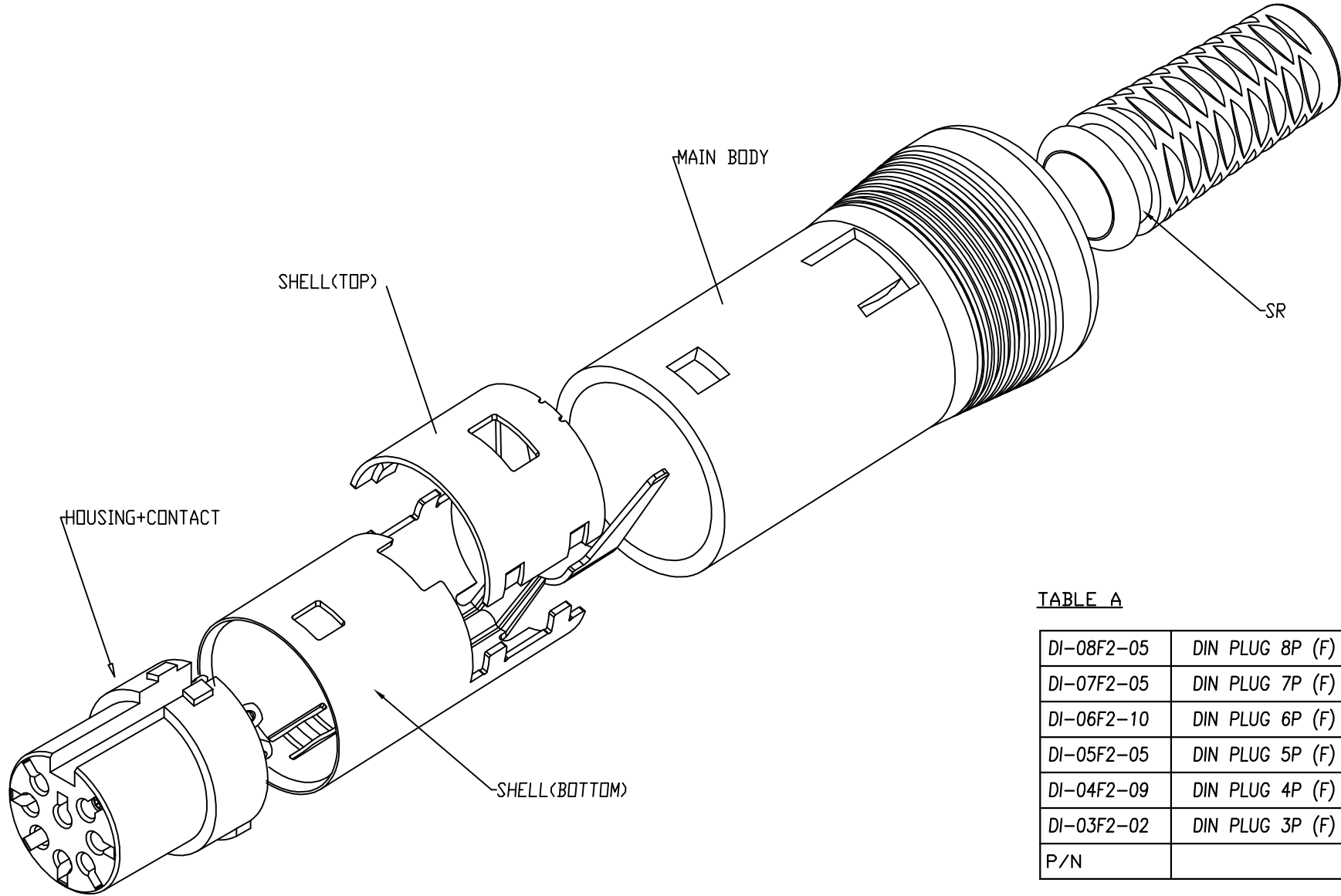


TABLE A

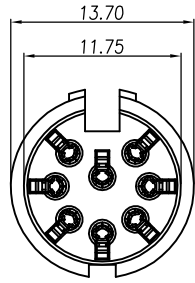
DI-08F2-05	DIN PLUG 8P (F) LOCK 裝配式
DI-07F2-05	DIN PLUG 7P (F) LOCK 裝配式
DI-06F2-10	DIN PLUG 6P (F) LOCK 裝配式
DI-05F2-05	DIN PLUG 5P (F) LOCK 裝配式
DI-04F2-09	DIN PLUG 4P (F) LOCK 裝配式
DI-03F2-02	DIN PLUG 3P (F) LOCK 裝配式
P/N	

DRAWN	Mark Kao	APP'D	Ku Chou	UNIT	mm	TOLERANCE	NIAN YEONG ENTERPRISE 年永實業有限公司		TITLE	SEE TABLE A	SHEET
CHK'D	Emily Suen			SCALE	1:1	.x ±0.20 .xx ±0.10 .xxx ±0.05 .xxxx ±0.03 ANGULA ±1°			PART NO.	SEE TABLE A	2/3
									DWG NO.	QC6082	VERSION A

This document is the property of Nian-Yeong Corporation and is delivered on the express condition that it is not to be disclosed, reproduced or used, in whole or in part, for manufacture or sale by anyone other than Nian-Yeong Corporation without its prior consent, and that no right is granted to disclose or to use any information in this document.

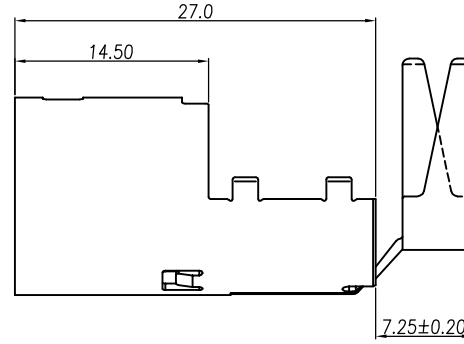
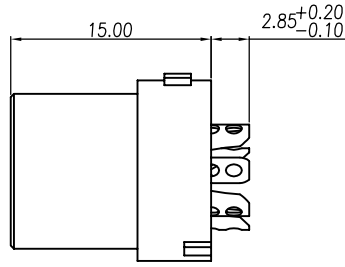
CUSTOMER DRAWING

REV.	DESCRIPTION	APPROVED BY	DATE	ECN NO.
A	RELEASE	Emily Suen	01/08/11'	
B				
C				
D				

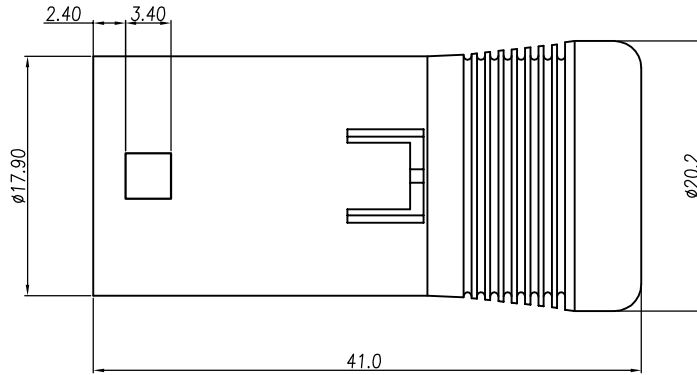
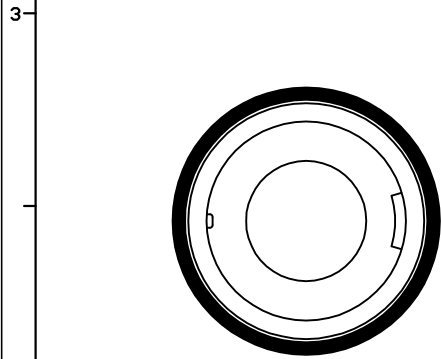
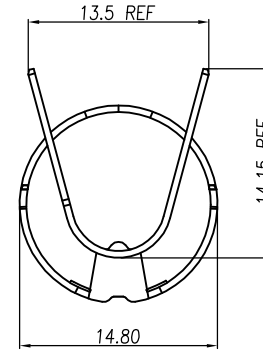


DIN (F) 插頭線式

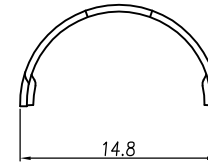
- NY-DM772-11 3P NY-DM776-11 7P
- NY-DM773-11 4P NY-DM777-11 8P
- NY-DM774-11 5P NY-DM775-11 6P



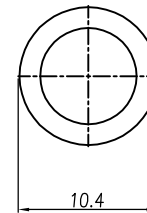
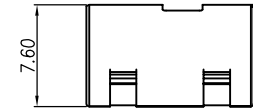
OY-DM0652



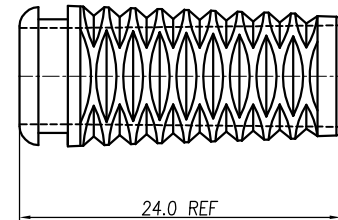
ON-DM0394



OY-DM0653



ON-DM0023



DRAWN	Mark Kao	APPVL	Ku Chou	UNIT	mm	TOLERANCE		TITLE	SEE TABLE A			SHEET	3
CHK'D	Emily Suen			SCALE	1:1	.x ±0.20 .xx ±0.10 .xxx ±0.05 .xxxx ±0.03 ANGULA ±1°		PART NO.	SEE TABLE A	DWG NO.	QC6082	VERSION	A

NIAN YEONG ENTERPRISE
年永實業有限公司