

This document is the property of Nian-Yeong Corporation and is delivered on the express condition that it is not to be disclosed, reproduced or used, in whole or in part, for manufacture or sale by anyone other than Nian-Yeong Corporation without its prior consent, and that no right is granted to disclose or to use any information in this document.

CUSTOMER DRAWING

REV.	DESCRIPTION	APPROVED BY	DATE	ECN NO.
A	RELEASE	Fido Weng	26/05/09*	
B				
C				

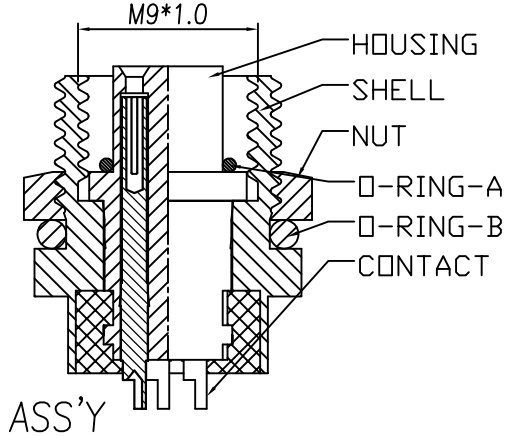
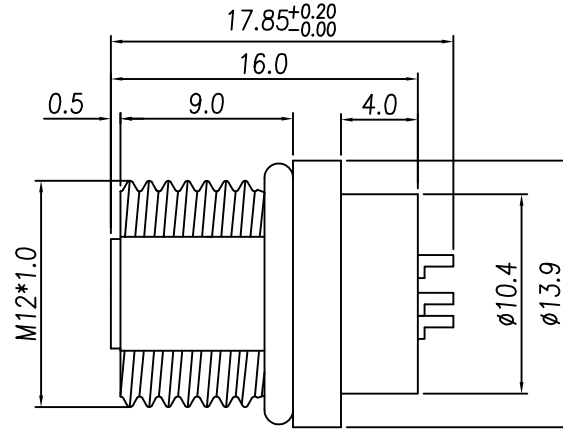
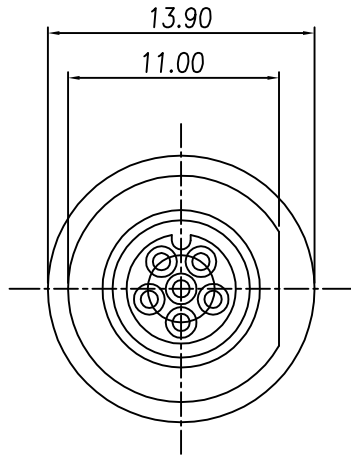
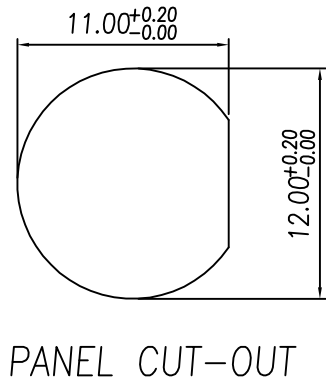
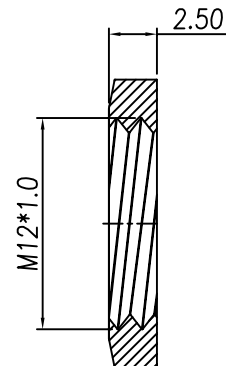
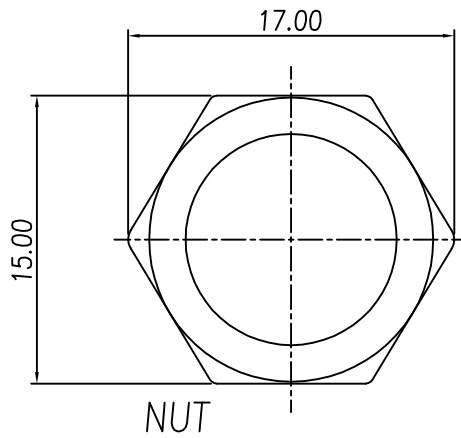


TABLE A

WP-05F2-32 WP-05F2-51	WP-06F2-08	
WP-05F2-51	BLACK NICKEL PLATED	BLACK NICKEL PLATED
WP-06F2-08	NICKEL PLATED	NICKEL PLATED
WP-05F2-32	NICKEL PLATED	NICKEL PLATED
PART No.	FINISH(SHELL)	FINISH(NUT)



- MATERIAL :
 - 1-1. HOUSING : PBT UL94V-0 ; COLOR : BLACK
 - 1-2. CONTACT : BRASS
 - 1-3. O-RING A : NBR; COLOR : BLACK
 - 1-4. O-RING B : EPDM ; COLOR : BLACK
 - 1-5. NUT : BRASS
 - 1-6. SHELL : BRASS
- FINISH :
 - 2-1. CONTACT : 10 MICRO INCHES MIN. GOLD PLATED
UNDER PLATE : NICKEL
 - 2-2. NUT : SEE TABLE A
 - 2-3. SHELL : SEE TABLE A
- ELECTRICAL SPECIFICATION :
 - 3-1. Rated current : 4A
 - 3-2. Rated voltage : 60V
 - 3-3. Water proof : IPX7
- Environmental :
 - 4-1. Operation Temperature : -40℃~85℃

DRAWN	Mark Kao	APP'D	Ku Chou	UNIT	mm	TOLERANCE			TITLE	M9 (F) 前鎖M12*1.0焊線式			SHEET	
CHK'D	Emily Suen	SCALE	1:1			.x ±0.25 .xx ±0.20 .xxx ±0.05 .xxxx ±0.03 ANGULA ±1°			PART NO.	SEE TABLE A	DWG NO.	QC3692	VERSION	

NIAN YEONG ENTERPRISE
年永實業有限公司