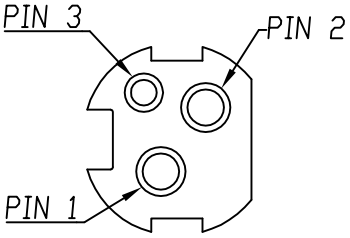
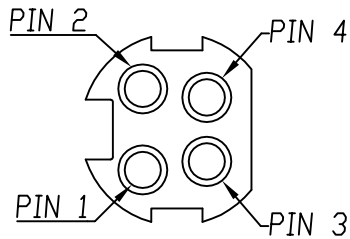


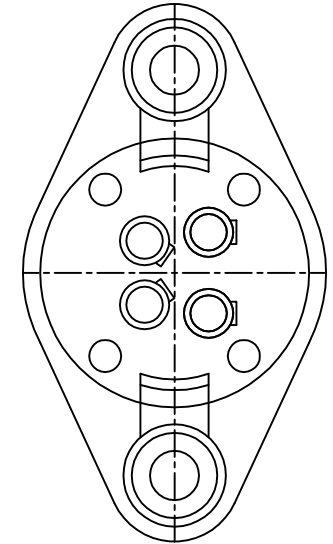
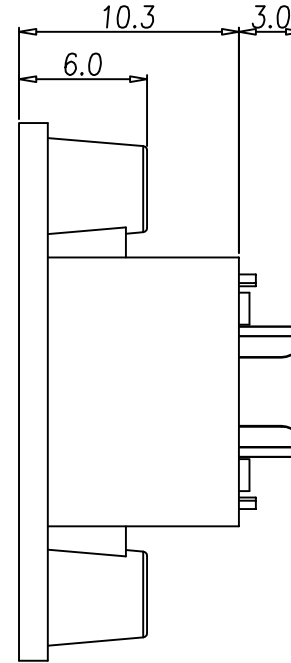
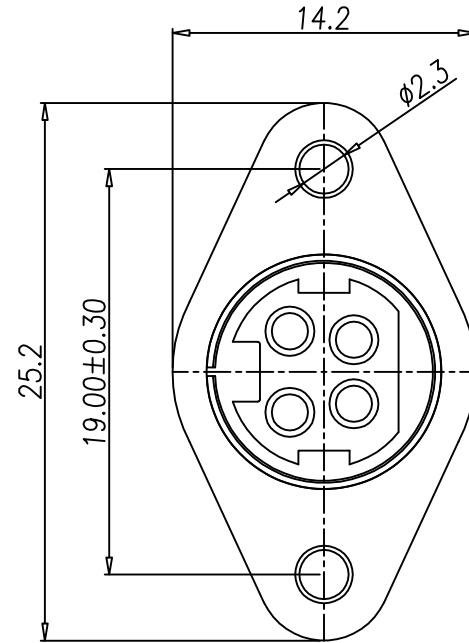
This document is the property of Nian-Yeong Corporation and is delivered on the express condition that it is not to be disclosed, reproduced or used, in whole or in part, for manufacture or sale by anyone other than Nian-Yeong Corporation without its prior consent, and that no right is granted to disclose or to use any information in this document.

CUSTOMER DRAWING

REV.	DESCRIPTION	APPVL. BY	DATE	ECN NO.
A	RELEASE	Fido Weng	13/04/09"	
B	ADD PART No.	Yeh Chou	20/06/19"	
C				

TABLE A


<p>△ PD-03F2-09-11</p>

<p>PD-04F2-20-11</p>



NOTE:

1.MATERIAL:

- 1-1. HOUSING : PBT UL94V-0 ; COLOR : BLACK
- 1-2. CONTACT : PHOSPHOR BRONZE
- 1-3. SHELL : BRASS

2.PLATING:

- 2-1. CONTACT : TIN PLATED.
- 2-2. SHELL : NICKEL PLATED.

3.ELETRICAL SPECICATION :

- 3-1. RATED CURRENT : 7.5A FOR PIN1 & 2 ; 1A FOR PIN3
- 3-2. RATED VOLTAGE : 20V DC

4. ENVIRONMENTAL :

- 4-1. OPERATION TEMPERATURE : -20℃~85℃

DRAW	Ku Chou	APPVL	Fido Weng	UNIT	mm	TOLERANCE .x ±0.25 .xx ±0.15 .xxx ±0.10 .xxxx ±0.05 ANGULA ±1°		 NIAN YEONG ENTERPRISE 年永實業有限公司	TITLE	POWER DIN (F) SOCKET (Rotate 180°) 全變型			SHEET	1
CHECK	Emily Suen			SCALE	1:1								PART NO.	SEE TABLE A