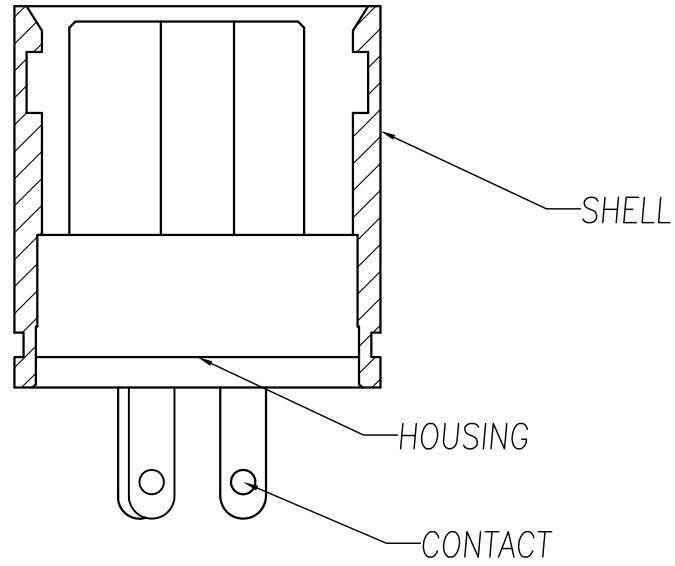
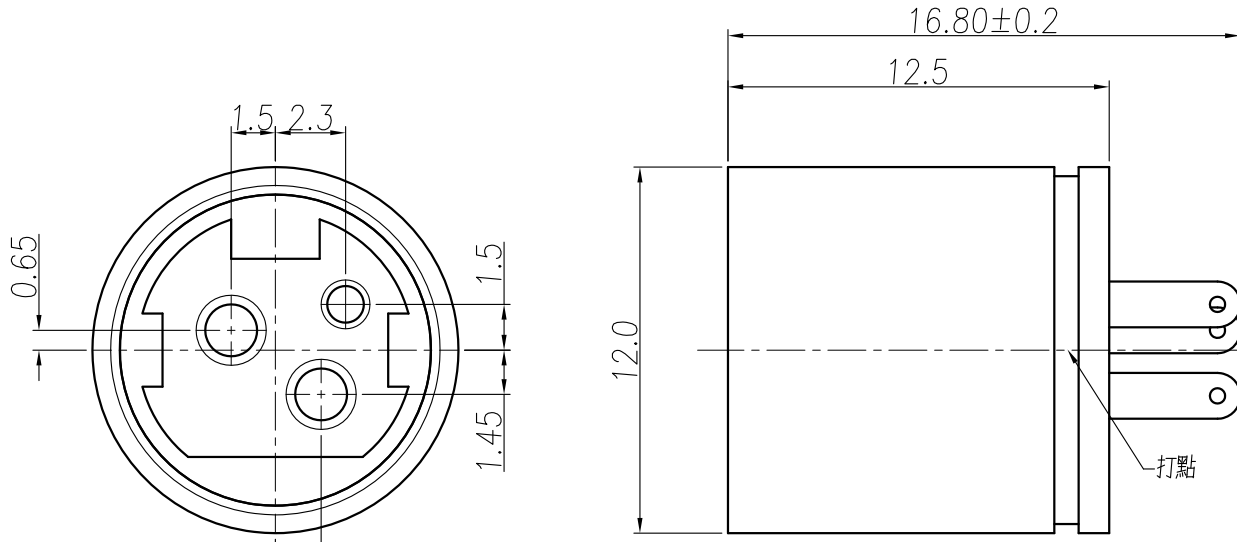


This document is the property of Nian-Yeong Corporation and is delivered on the express condition that it is not to be disclosed, reproduced or used, in whole or in part, for manufacture or sale by anyone other than Nian-Yeong Corporation without its prior consent, and that no right is granted to disclose or to use any information in this document.

CUSTOMER DRAWING

REV.	DESCRIPTION	APPVL. BY	DATE	ECN NO.
A	RELEASE	Fido Wang	13/04/09*	
B				
C				



NOTE:
 1.MATERIAL:
 1-1. HOUSING : PBT UL94V-0 ; COLOR : BLACK
 1-2. CONTACT : PHOSPHOR BRONZE
 1-3. SHELL : BRASS
 2.PLATING:
 2-1. CONTACT : TIN PLATED 60u" OVER NICKEL
 2-2. SHELL : NICKEL PLATED 60u" ~ 100u" OVER ALL
 3.ELETRICAL SPECICATION :
 3-1. RATED CURRENT : 7.5A/DC MAX
 3-2. RATED VOLTAGE : 25V/DC MAX
 4. ENVIRONMENTAL :
 4-1. OPERATION TEMPERATURE : -20 °C~85°C

DRAW	Mark Kao	APPVL	Ku Chou	UNIT	mm	TOLERANCE		TITLE	POWER DIN 3PIN (F) LOCK			SHEET
CHECK	Emily Suen			SCALE	1:1	.x ±0.20 .xx ±0.15 .xxx ±0.10 .xxxx ±0.05 ANGULA ±1°		PART NO.	PD-03F1-02	DWG NO.	QC1814	VERSION
							NIAN YEONG ENTERPRISE					
							年永實業有限公司					