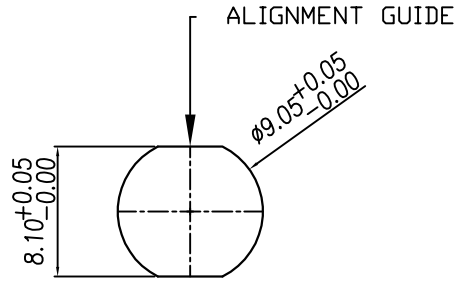


This document is the property of Nian-Yeong Corporation and is delivered on the express condition that it is not to be disclosed, reproduced or used, in whole or in part, for manufacture or sale by anyone other than Nian-Yeong Corporation without its prior consent, and that no right is granted to disclose or to use any information in this document.

CUSTOMER DRAWING

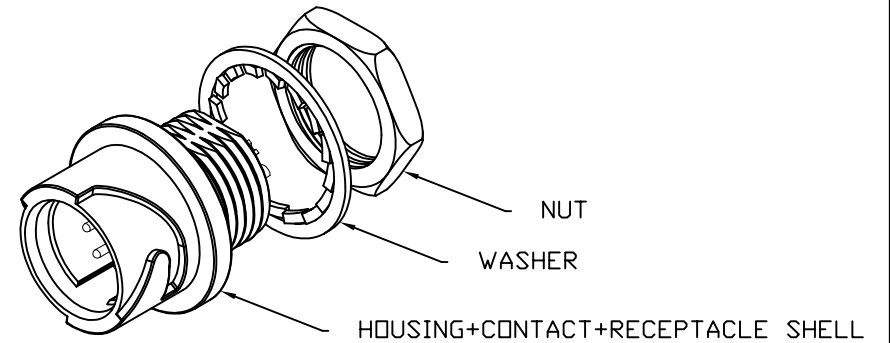
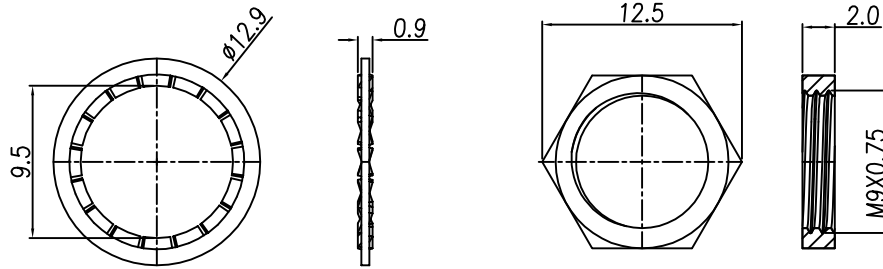
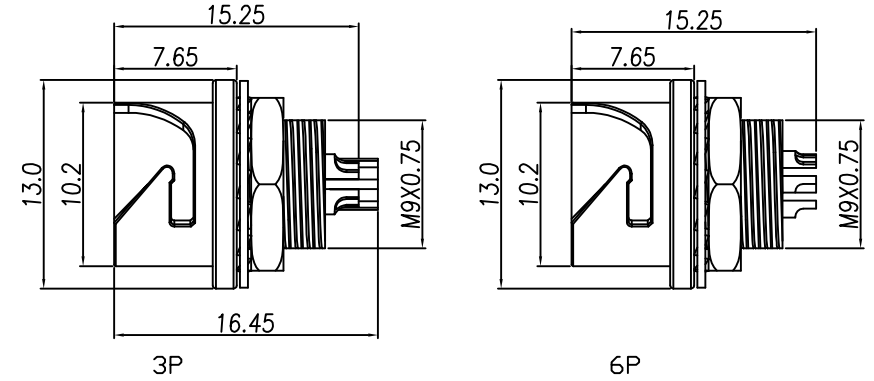
REV.	DESCRIPTION	APPROVED BY	DATE	ECN NO.
A	RELEASE	Emily Suen	25/10/11*	
B				
C				
D				



RECOMMENDED MOUNTING HOLE  
(Panel thickness 0.7~2)

TABLE A

CONTACT ARRANGEMENT(FRONT VIEW)	
WP-03M2-30	WP-06M2-21



1. MATERIAL :

- 1-1. HOUSING : PPS UL94V-0  
COLOR : BLACK
- 1-2. CONTACT : BRASS
- 1-3. RECEPTACLE SHELL : ZINC ALLOY
- 1-4. WAHSER : PHOSPHOR BRONZEC
- 1-5. NUT : BRASS
- 1-6. O-RING : EPDM ; COLOR : BLACK.

2. FINISH :

- 2-1. CONTACT : GOLD FLASH
- 2-2. RECEPTACLE SHELL : NICKEL
- 2-3. WAHSER : NICKEL
- 2-4. NUT : NICKEL

3. ELECTRICAL SPECIFICATION :

- 3-1. Rated current : 3PIN 5A ; 6PIN 2A
- 3-2. Rated voltage : 3PIN 125V AC / 175V DC ;  
6PIN 30V AC / 42V DC
- 3-3. Water proof : IP67

4. Environmental :

- 4-1. Operation Temperature : -25°C~85°C

DRAWN	Mark Kao	APPVL	Ku Chou	UNIT	mm	TOLERANCE			TITLE	WP (M) 前鎖母式(RECEPTACLE-LF07 TYPE)			SHEET	
CHK'D	Emily Suen			SCALE	1:1	.x ±0.20 .xx ±0.10 .xxx ±0.05 .xxxx ±0.03 ANGULA ±1°			PART NO.	SEE TABLE A	DWG NO.	QC5717	VERSION	

NIAN YEONG ENTERPRISE  
年永實業有限公司