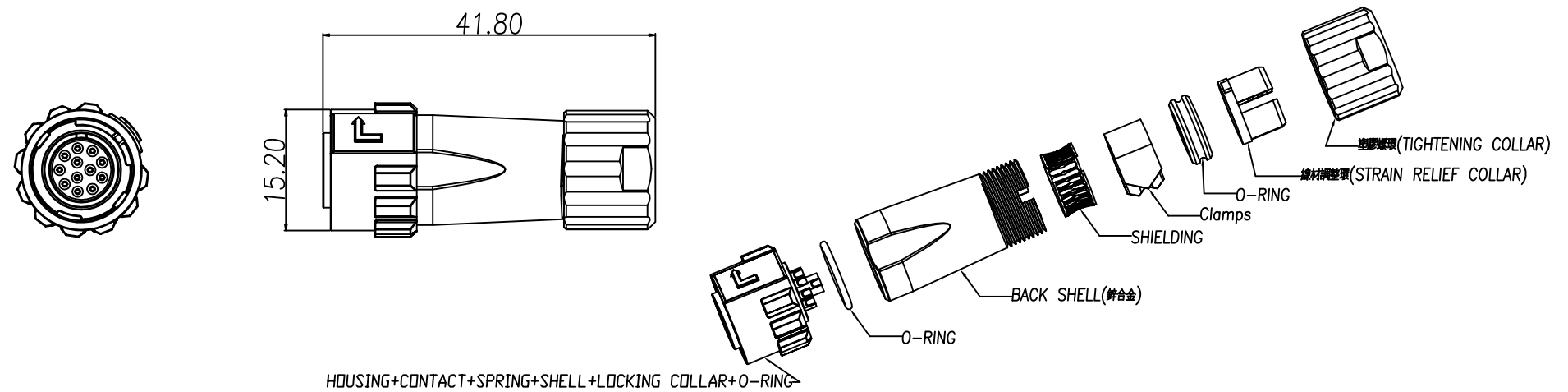


This document is the property of Nian-Yeong Corporation and is delivered on the express condition that it is not to be disclosed, reproduced or used, in whole or in part, for manufacture or sale by anyone other than Nian-Yeong Corporation without its prior consent, and that no right is granted to disclose or to use any information in this document.

CUSTOMER DRAWING

REV.	DESCRIPTION	APPROVED BY	DATE	ECN NO.
A				
B				
C				



Contact position arrangement and specifications

Contact configuration		Withstanding voltage	300V AC	Operating temperature range	-25°C to +85°C
		Voltage rating	30V AC, 42V DC	Insulation resistance	1000MΩ
		Current rating	2A	Water proof	IP67
		Contact resistance	15MΩ		

MATERIAL

HOUSING	PPS UL94V-0/BLACK	PLUG SHELL	ZINC ALLOY	LOCKING COLLAR	ZINC ALLOY
CONTACT	PHOSPHOR BRONZE	SPRING 0.5*10.7	STAINLESS STEEL	O-RING Ø9.9 L0.9	EPDM/BLACK
O-RING Ø11.5 L1.0	EPDM/BLACK	O-RING Ø10.75 L3.4	NBR/BLACK	鎖緊環(TIGHTENING COLLAR)	PPS/棕色
Clamps	BRASS	STRAIN RELIEF COLLAR	NYLON66/WHITE	SHIELDING Ø10.4 L5.2 T0.15	PHOSPHOR BRONZE
BACK SHELL	ZINC ALLOY				

FINISH

CONTACT	GOLD FLASH	PLUG SHELL	NICKEL	SHIELDING Ø10.4 L5.2 T0.15	NICKEL
BACK SHELL	NICKEL	LOCKING COLLAR	NICKEL		

DRAWN	Leo	APP'D	Ku Chou	UNIT	mm	TOLERANCE		NIAN YEONG ENTERPRISE 年永實業有限公司	TITLE	DIN 12PIN(F) LF 線端			SHEET
CHK'D	Emily Suen			SCALE	1:1	.x ±0.20 .xx ±0.10 .xxx ±0.05 .xxxx ±0.03 ANGULA ±1°			PART NO.	DI-12F2-08-11	DWG NO.	QC6504	VERSION A