

This document is the property of Nian-Yeong Corporation and is delivered on the express condition that it is not to be disclosed, reproduced or used, in whole or in part, for manufacture or sale by anyone other than Nian-Yeong Corporation without its prior consent, and that no right is granted to disclose or to use any information in this document.

# CUSTOMER DRAWING

REV.	DESCRIPTION	APPROVED BY	DATE	ECN NO.
A	PRELIMINARY RELEASE	Fido Weng	22/04/10*	
B	CHANGE CONTACT PLATED	Ku Chou	10/06/19	ECN-19006
C	CHANGE MATERIAL	Ku Chou	16/09/22*	

### 1. MATERIAL :

- 1-1. HOUSING : NYLON 66 UL94V-0 ; COLOR : BLACK
- 1-2. CONTACT : PHOSPHOR BRONZE
- 1-3. SHELL A : ZINC ALLOY
- 1-4. SHELL B : BRASS
- 1-5. SHELL C : BRASS
- 1-6. O-RING A : EPDM; COLOR : BLACK
- 1-7. O-RING B : NBR; COLOR : BLACK
- 1-8. SPRING : STAINLESS
- 1-9. SCREW : ALLOY STEEL
- 1-10. SR : TPR

### 2. FINISH :

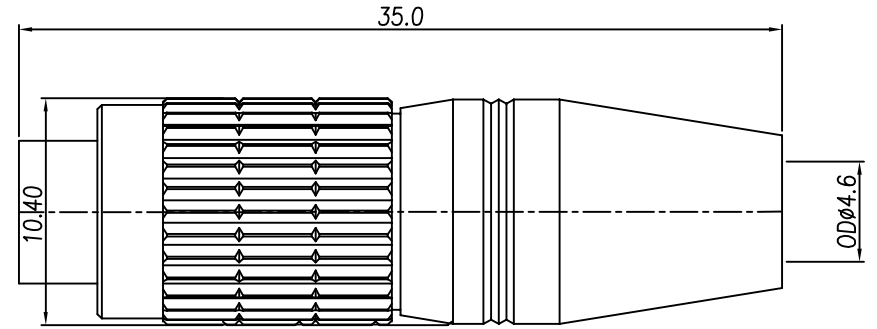
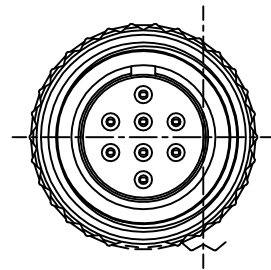
- 2-1. CONTACT A : 10u" MIN. GOLD PLATED
- 2-2. SHELL A : NICKEL PLATED 60u" ~ 100u" OVER ALL
- 2-3. SHELL B : NICKEL PLATED 60u" ~ 100u" OVER ALL
- 2-3. SHELL C : NICKEL PLATED 60u" ~ 100u" OVER ALL

### 3. ELECTRICAL SPECIFICATION :

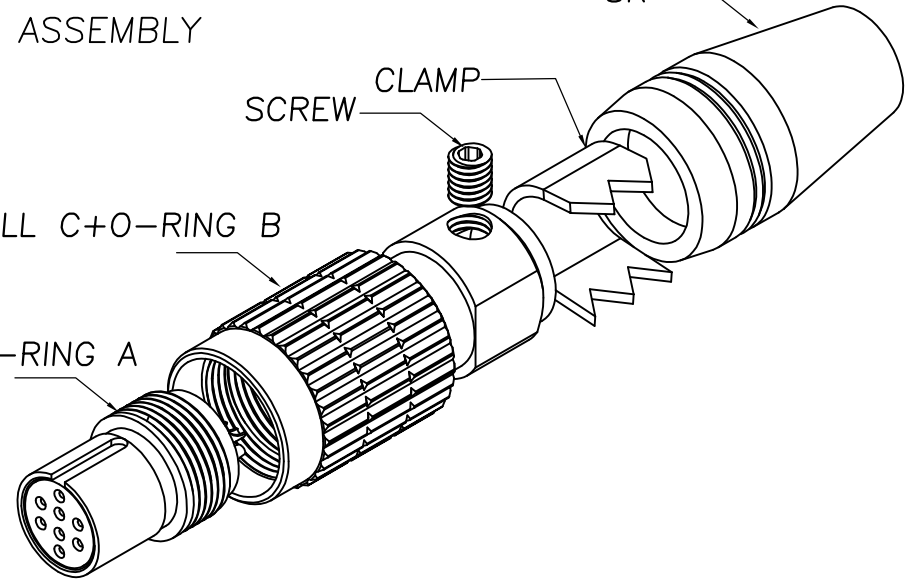
- 3-1. Rated current : 1A
- 3-2. Rated Voltage : 30V AC , 42V DC

### 4. Environmental :

- 4-1. Operation Temperature : -25℃~85℃



ASSEMBLY



SHELL B+SHELL C+O-RING B

HOUSING+CONTACT+SHELL A+O-RING A

TABLE A

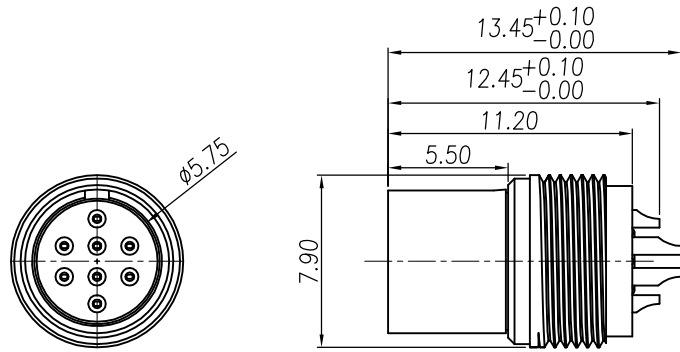
DI-04F2-01(4P)	DI-06F2-02(6P)	DI-08F2-01(8P) DI-08F2-19-11(無耐落)

DRAWN	Jen Xie	APP'D	Fido Weng	UNIT	mm	TOLERANCE		<b>NIAN YEONG ENTERPRISE</b> 年永實業有限公司	TITLE	防水頭 M8*0.5 8PIN(F) 線端			SHEET	1/2
CHK'D	Emily Suen	SCALE	1:1	.x	±0.20	.xx			±0.10	PART NO.	SEE TABLE A	DWG NO.	QC5181	VERSION

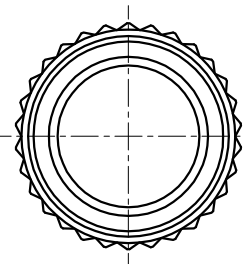
This document is the property of Nian-Yeong Corporation and is delivered on the express condition that it is not to be disclosed, reproduced or used, in whole or in part, for manufacture or sale by anyone other than Nian-Yeong Corporation without its prior consent, and that no right is granted to disclose or to use any information in this document.

CUSTOMER DRAWING

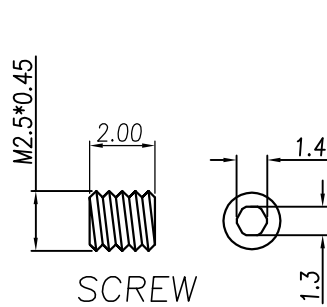
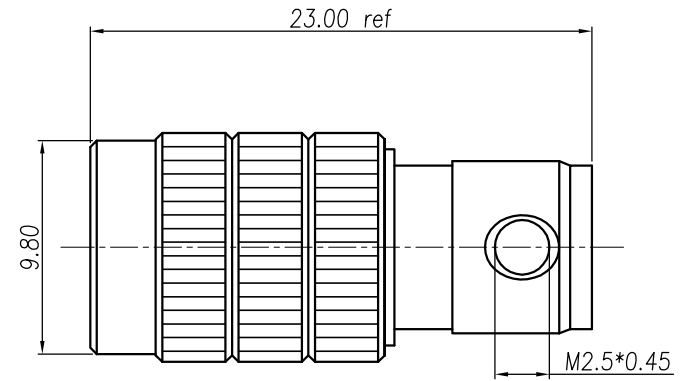
REV.	DESCRIPTION	APPROVED BY	DATE	ECN NO.
A	PRELIMINARY RELEASE	Fido Weng	22/04/10*	
B	CHANGE CONTACT PLATED	Ku Chou	10/06/19	ECN-19006
C				



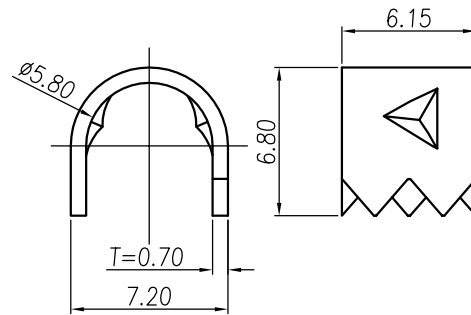
HOUSING+CONTACT+SHELL A+O-RING A



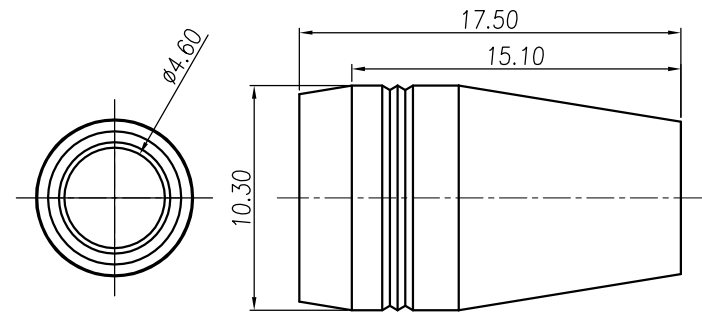
SHELL B+SHELL C+O-RING B



SCREW



CLAMP



SR

DRAWN	Jen Xie	APP'D	Fido Weng	UNIT	mm	TOLERANCE	 <b>NIAN YEONG ENTERPRISE</b> 年永實業有限公司	TITLE	防水環 M8*0.5 8PIN(F) 線端			SHEET	2/2
CHK'D	Emily Suen			SCALE	1:1	.x ±0.20 .xx ±0.10 .xxx ±0.05 .xxxx ±0.03 ANGULA ±1°		PART NO.	SEE TABLE A	DWG NO.	QC5181	VERSION	B