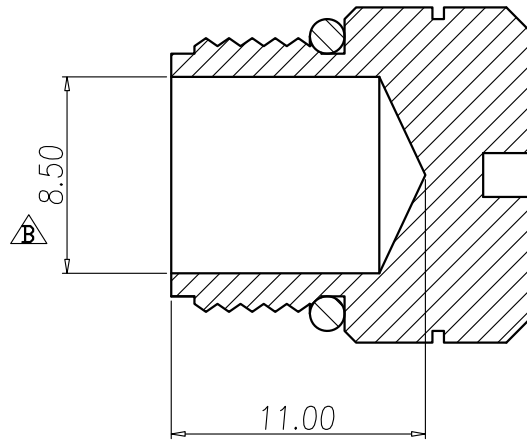
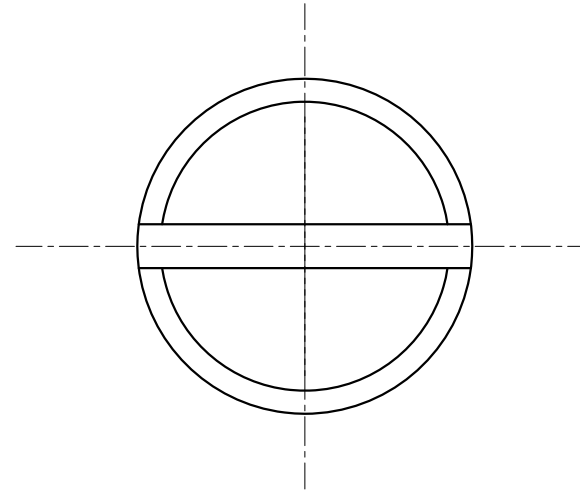
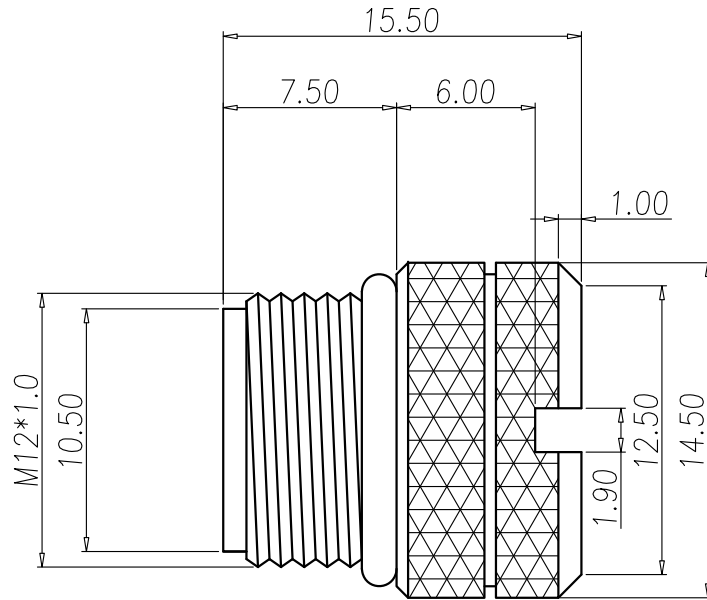


This document is the property of Nian-Yeong Corporation and is delivered on the express condition that it is not to be disclosed, reproduced or used, in whole or in part, for manufacture or sale by anyone other than Nian-Yeong Corporation without its prior consent, and that no right is granted to disclose or to use any information in this document.

CUSTOMER DRAWING

REV.	DESCRIPTION	APPROVED BY	DATE	ECN NO.
A	RELEASE	Fido Weng	04/03/10'	
B	尺寸改變	Fido Weng	12/09/16'	
C				



1. MATERIAL :
 - 1-1. SHELL : BRASS
 - 1-2. O-RING : EPDM
2. FINISH :
 - 2-1. CONTACT : NICKEL PLATED.

DRAWN	Ku Chou	APPEND	Fido WEng	UNIT	mm	TOLERANCE		TITLE	M12防塵蓋+油封			SHEET	
CHOKED	Emily Suen			SCALE	1:1	.x ±0.20 .xx ±0.10 .xxx ±0.05 .xxxx ±0.03 ANGULA ±1°		PART NO.	NY-WP270	DWG NO.	QC4842	VERSION	

NIAN YEONG ENTERPRISE
年永實業有限公司