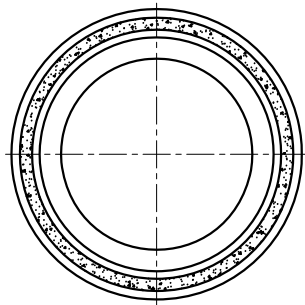
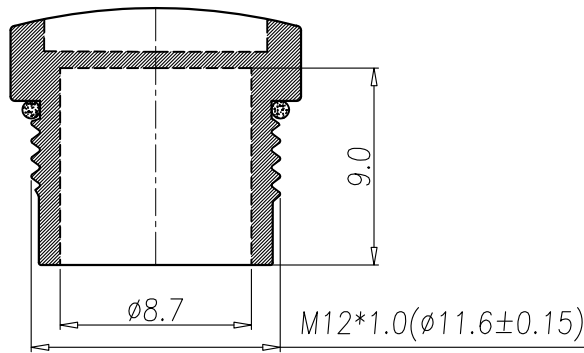
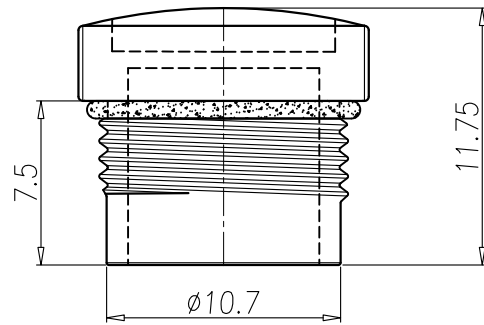
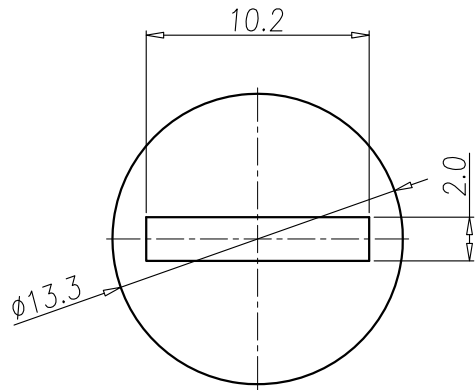


This document is the property of Nian-Yeong Corporation and is delivered on the express condition that it is not to be disclosed, reproduced or used, in whole or in part, for manufacture or sale by anyone other than Nian-Yeong Corporation without its prior consent, and that no right is granted to disclose or to use any information in this document.

CUSTOMER DRAWING

REV.	DESCRIPTION	APPROVED BY	DATE	ECN NO.
A	RELEASE	Fido Weng	22/12/08*	
B	CHANGE O-RING MATERIAL	Fido Weng	27/02/09*	ECN-09016
C	ADD P/N	Fido Weng	15/06/10*	
D	增加防水規格	Fido Weng	02/12/16*	



- MATERIAL :
 - HOUSING : PBT UL94V-0 ; COLOR : BLACK
 - O-RING : SEE TABLE A ; COLOR : BLSAK
- Housing Cannot have the shrinkage, the fragments, the lack materials , and so on undesirable tendency
- The male and female spiral tooth must to turn smoothly.
- Water proof : IP67

TABLE A/表A

NY-WP271	EPDM
NY-WP060	NBR

DRAWN	Ku Chou	APP'D	Emily Suen	UNIT	mm	TOLERANCE		TITLE	WP M12 COVER(PBT)+O-ring			SHEET	
CHK'D	Emily Suen			SCALE	1:1	.x ±0.20 .xx ±0.10 .xxx ±0.05 .xxxx ±0.03 ANGULA ±1°		PART NO.	SEE TABLE A	DWG NO.	QC1335	VERSION	

NIAN YEONG ENTERPRISE
年永實業有限公司