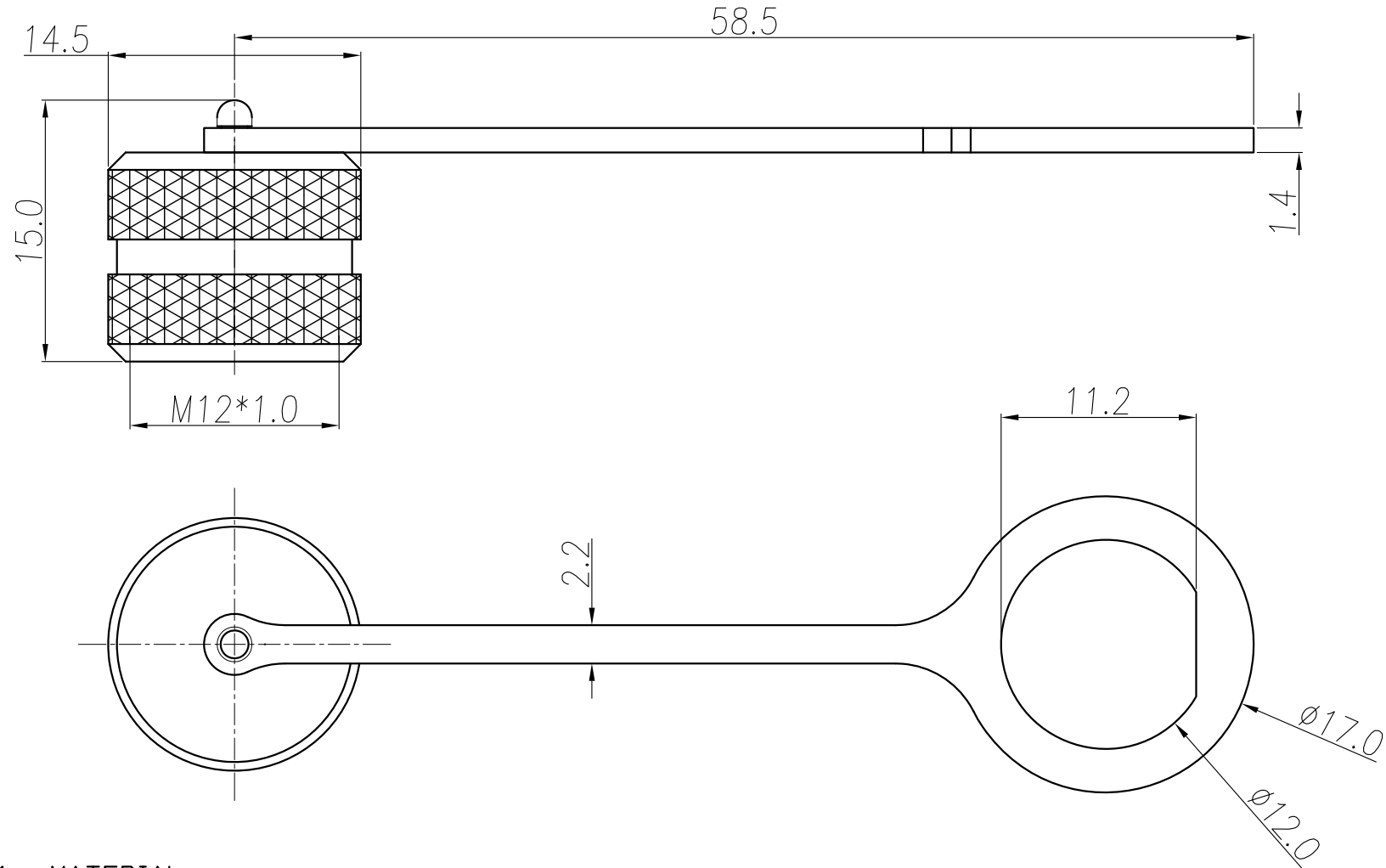


This document is the property of Nian-Yeong Corporation and is delivered on the express condition that it is not to be disclosed, reproduced or used, in whole or in part, for manufacture or sale by anyone other than Nian-Yeong Corporation without its prior consent, and that no right is granted to disclose or to use any information in this document.

CUSTOMER DRAWING

REV.	DESCRIPTION	APPROVED BY	DATE	ECN NO.
A	RELEASE	Fido Weng	12/11/14*	
B				
C				



- 1 . MATERIAL :
- 1-1 . NUT : BRASS ; NICKEL PLATED OVER ALL
 - 1-2 . O-RING : SILICON ; COLOR : BLACK
 - 1-3 . CHAIN : TPR ; COLOR : BLACK.

DRAWN	Jen Xie	APPEND	Ku Chou	UNIT	mm	TOLERANCE		TITLE	M12 防塵蓋合型膠鍊條(內牙)			SHEET	
CHOKED	Emily Suen			SCALE	1:1	.x ±0.20 .xx ±0.10 .xxx ±0.05 .xxxx ±0.03 ANGULA ±1°		PART NO.	NY-WP983-11	DWG NO.	QC7737	VERSION	

NIAN YEONG ENTERPRISE
年永實業有限公司