

This document is the property of Nian-Yeong Corporation and is delivered on the express condition that it is not to be disclosed, reproduced or used, in whole or in part, for manufacture or sale by anyone other than Nian-Yeong Corporation without its prior consent, and that no right is granted to disclose or to use any information in this document.

CUSTOMER DRAWING

REV.	DESCRIPTION	APPROVED BY	DATE	ECN NO.
A	RELEASE	Fido Weng	07/04/09*	
B				
C				

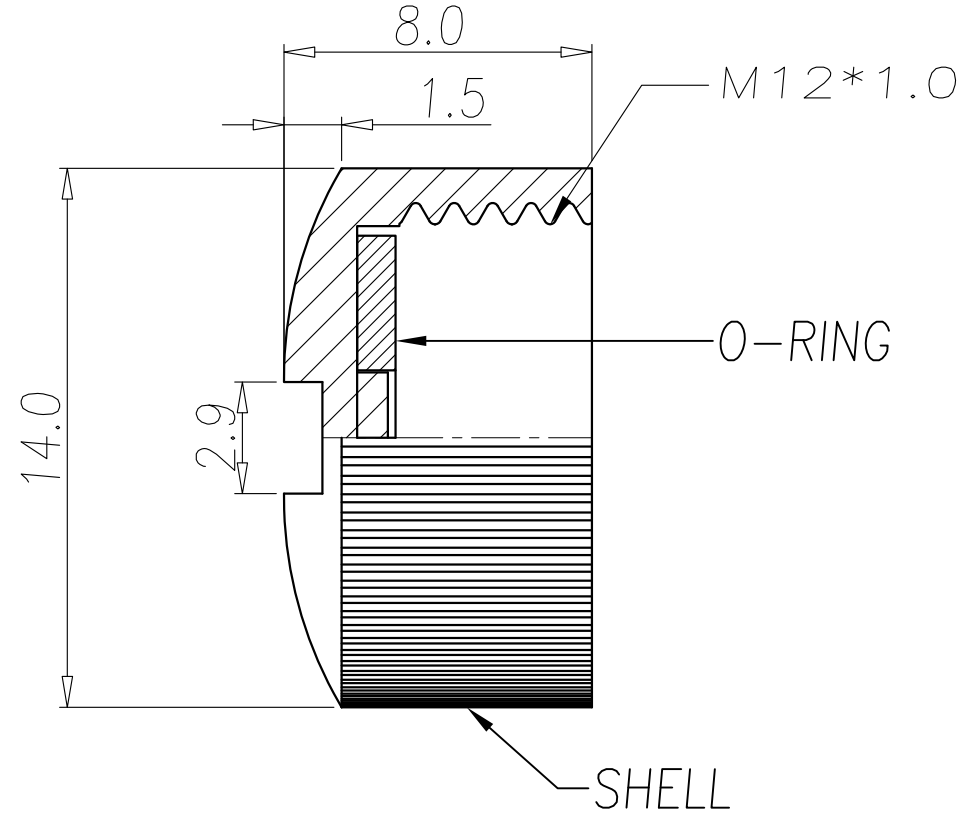
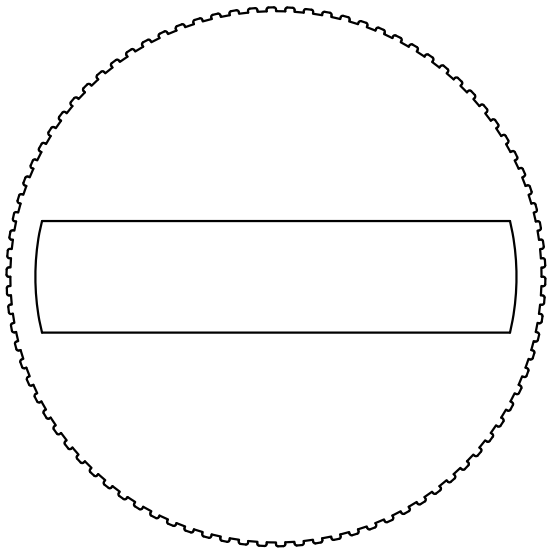


TABLE A/表A

NY-WP998-01	PBT UL94V-0		NBR
NY-WP199	PBT UL94V-0		SILICONE
NY-WP184	BRASS	NICKEL	SILICONE
PART NO.	MATERIAL	FINISH	O-RING MATERIAL

- MATERIAL :
  - 1-1. SHELL : SEE TABLE A ; COLOR BLACK.
  - 1-2. O-RING : SEE TABLE A ; COLOR : BLACK
- FINISH :
  - 2-1. SHELL : SEE TABLE A
- Water proof : IP67
- Operation Temperature : -20℃~85℃

DRAWN	Ku Chou	APP'D	Emily Suen	UNIT	mm	TOLERANCE		TITLE	M12防塵蓋(一字)			SHEET
CHK'D	Emily Suen			SCALE	1:1	.x ±0.20 .xx ±0.10 .xxx ±0.05 .xxxx ±0.03 ANGULA ±1°		NIAN YEONG ENTERPRISE 年永實業有限公司	PART NO.	SEE TABLE	DWG NO.	QC4119