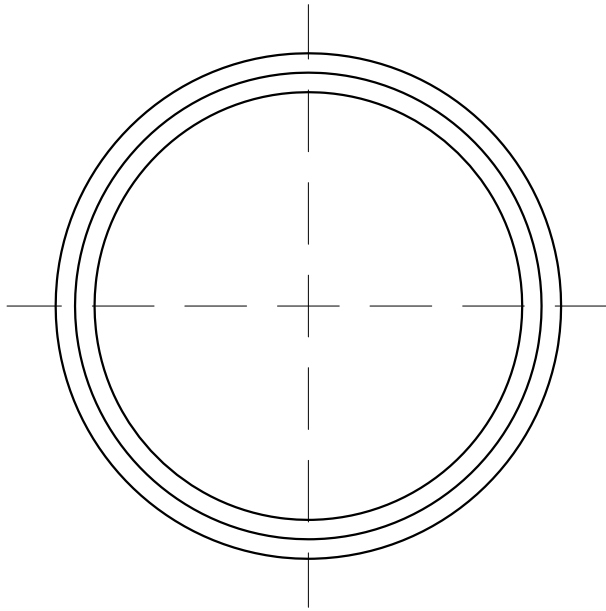
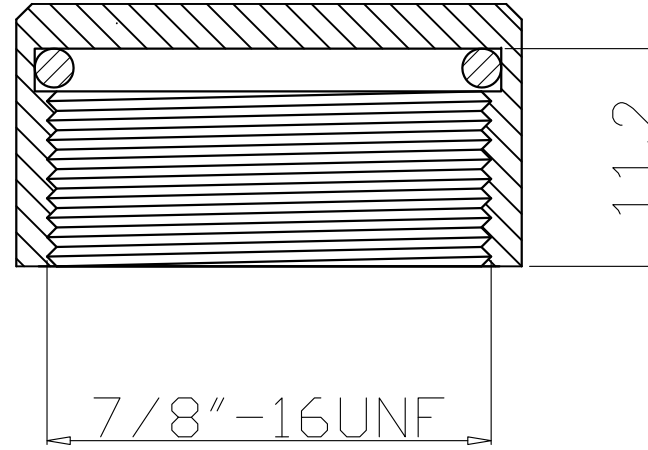
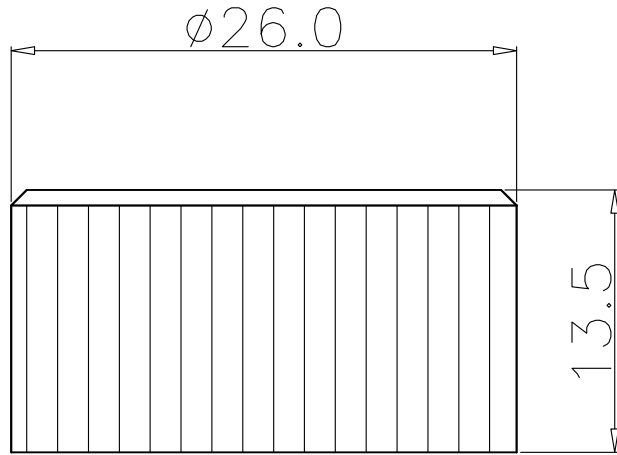


This document is the property of Nian-Yeong Corporation and is delivered on the express condition that it is not to be disclosed, reproduced or used, in whole or in part, for manufacture or sale by anyone other than Nian-Yeong Corporation without its prior consent, and that no right is granted to disclose or to use any information in this document.

CUSTOMER DWAWING

| REV. | DESCRIPTION | APPROVED BY | DATE      | ECN NO. |
|------|-------------|-------------|-----------|---------|
| A    | RELEASE     | Fido Weng   | 12/12/11' |         |
| B    |             |             |           |         |
| C    |             |             |           |         |



1. MATERIAL :
  - 1-1. NUT : BRASS
  - 1-2. O-RING : SILICONE
2. FINISH :
  - 2-1. NUT : NICKEL PLATED.

|       |            |       |         |       |     |  |  |          |                       |         |        |         |  |
|-------|------------|-------|---------|-------|-----|--|--|----------|-----------------------|---------|--------|---------|--|
| DRAWN | Jen Xie    | APP'D | Ku Chou | UNIT  | mm  | TOLERANCE  |  | TITLE    | 7/8"-16UNF 防塵蓋+O-RING |         |        | SHEET   |  |
| CHK'D | Emily Suen |       |         | SCALE | 1:1 | .x ±0.10<br>.xx ±0.05<br>.xxx ±0.03<br>.xxxx ±0.01<br>ANGULA ±1° |  | PART NO. | NY-WP797-11           | DWG NO. | QC7379 | VERSION |  |

NIAN YEONG ENTERPRISE  
年永實業有限公司