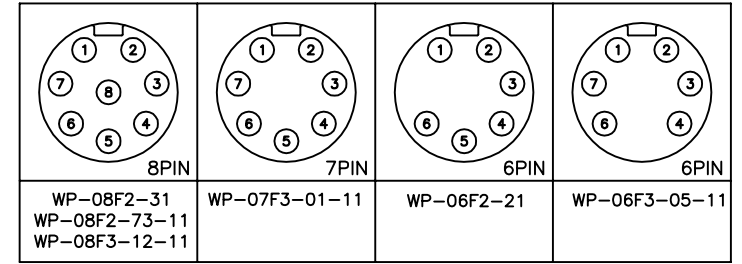
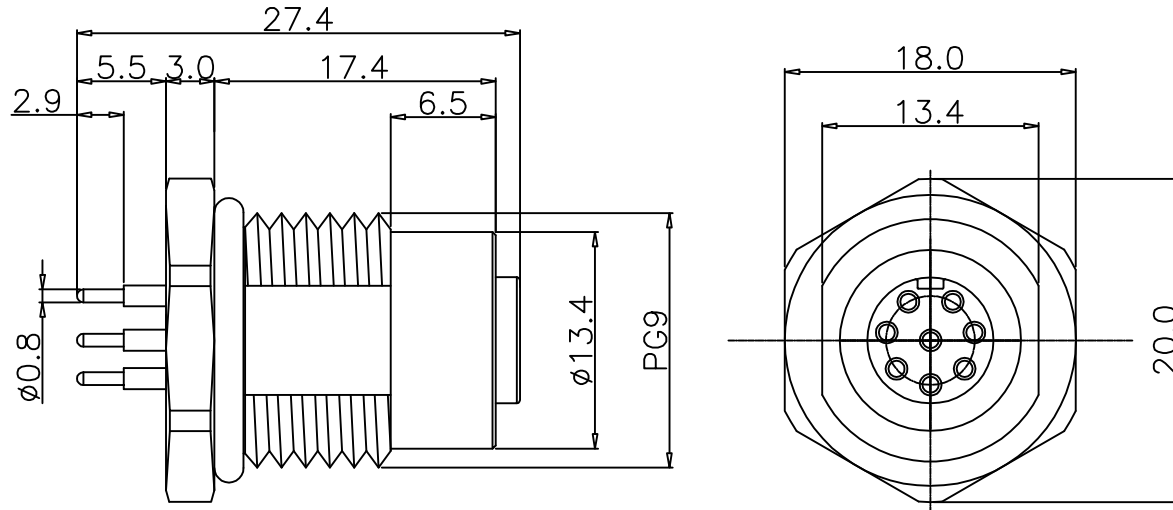


This document is the property of Nian-Yeong Corporation and is delivered on the express condition that it is not to be disclosed, reproduced or used, in whole or in part, for manufacture or sale by anyone other than Nian-Yeong Corporation without its prior consent, and that no right is granted to disclose or to use any information in this document.

CUSTOMER DRAWING

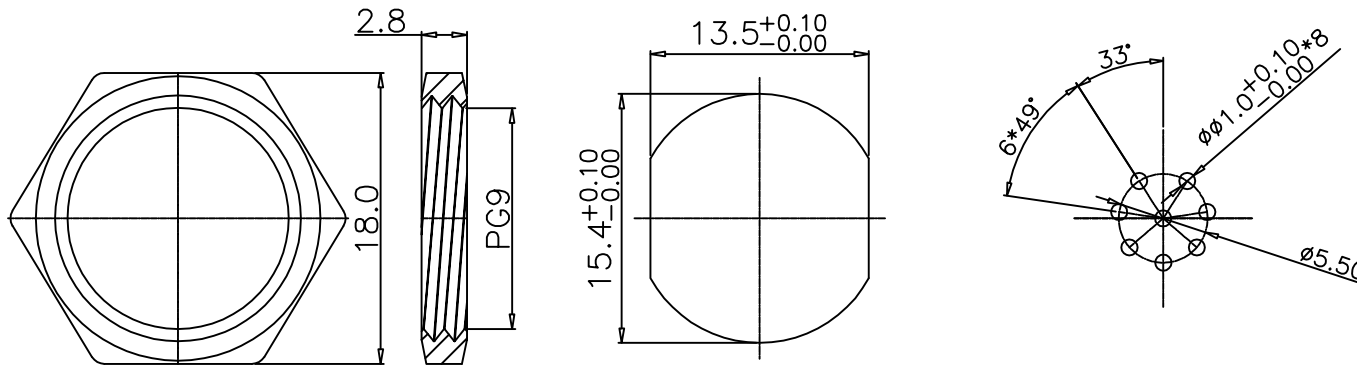
REV.	DESCRIPTION	APPROVED BY	DATE	ECN NO.
A	RELEASE	Fido Weng	17/11/10*	
B	ADD P/N	KU CHOU	22/01/21*	
C				



Pin Assignments
Front View

TABLE A

WP-08F3-12-11	STAINLESS STEEL 316	-	GOLD 10u"
WP-08F2-73-11	BRASS	NICKEL PLATED	GOLD FLASH
WP-08F2-31	BRASS	NICKEL PLATED	GOLD 10u"
WP-07F3-01-11	BRASS	NICKEL PLATED	GOLD 10u"
WP-06F2-21	BRASS	NICKEL PLATED	GOLD 10u"
WP-06F3-05-11	BRASS	NICKEL PLATED	GOLD 10u"
PART NO	MATERIAL(SHELL&NUT)	FINISH(SHELL&NUT)	FINISH(CONTACT)



NUT

RECOMMEND PANEL CUT-OUT RECOMMEND P.C.B LAYOUT

- MATERIAL :
 - HOUSING : PBT UL94V-0 ; COLOR : BLACK
 - CONTACT : BRASS
 - NUT : SEE TABLE A
 - SHELL : SEE TABLE A
 - O-RING : EPDM
- FINISH :
 - CONTACT : SEE TABLE A
 - NUT : SEE TABLE A
 - SHELL : SEE TABLE A
- ELECTRICAL SPECIFICATION :
 - Rated current : 2A
 - Rated voltage : 30V
 - Water proof : IP67
- Environmental :
 - Operation Temperature : -40°C~85°C

DRAWN	EMILY SUEN	APP'D	KU CHOU	UNIT	mm	TOLERANCE		TITLE	防水頭 M12 (F) 前鎖 Pg9 插件式			SHEET
CHK'D	KU CHOU			SCALE	1:1	.x ±0.20 .xx ±0.10 .xxx ±0.05 .xxxx ±0.03 ANGULA ±1°		PART NO.	SEE TABLE A	DWG NO.	QC5574	1/2
NIAN YEONG ENTERPRISE 年永實業有限公司											VERSION	
												B