

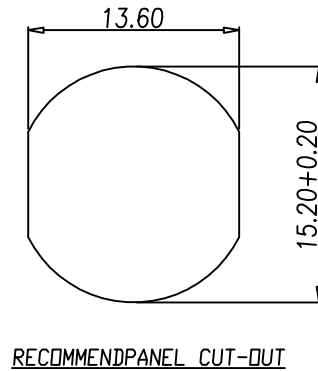
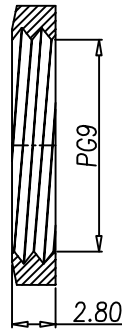
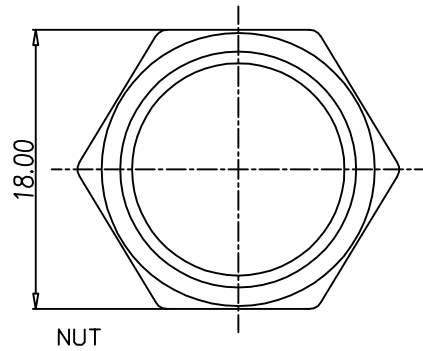
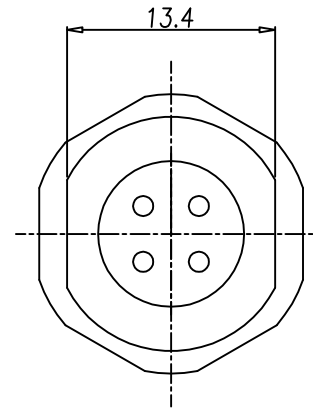
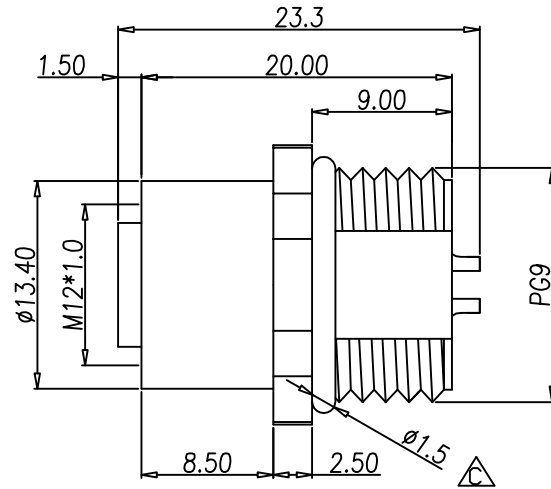
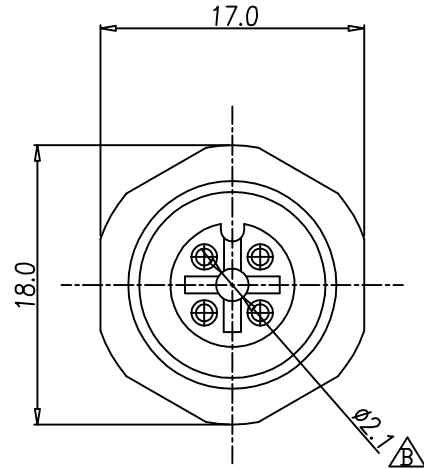
This document is the property of Nian-Yeong Corporation and is delivered on the express condition that it is not to be disclosed, reproduced or used, in whole or in part, for manufacture or sale by anyone other than Nian-Yeong Corporation without its prior consent, and that no right is granted to disclose or to use any information in this document.

CUSTOMER DRAWING

REV.	DESCRIPTION	APPROVED BY	DATE	ECN NO.
B	設變油封厚度 & 4PIN增加盲孔	Fido Weng	22/08/12*	ECN12022
C	設變油封厚度直徑2.0改為1.5	WEI	08/04/13*	ECN13004
D	刪除&修改油封	KU	15/11/18*	

TABLE A

WP-04F2-86	WP-05F2-70
WP-02F2-87-11	WP-03F2-149-11



- △ 1. MATERIAL :
- 1-1. HOUSING : PBT UL94V-0 ; COLOR : BLACK
 - 1-2. CONTACT : BRASS
 - 1-3. SHELL : BRASS
 - 1-4. NUT : BRASS
 - 1-5. O-RING A : EPDM ; COLOR : BLACK
 - 1-6. O-RING B : SILICONE ; COLOR : GREEN.
2. FINISH :
- 2-1. CONTACT : GOLD FLASH.
UNDER PLATE : NICKEL
 - 2-2. SHELL : NICKEL PLATED.
 - 2-2. NUT : NICKEL PLATED.
3. ELECTRICAL SPECIFICATION :
- 3-1. Rated current : 4A
 - 3-2. Rated Voltage : 2~4PIN 250V ; 5PIN 60V
 - 3-3. Water proof : IPX7
4. Environmental :
- 4-1. Operation Temperature : -40°C~105°C

DRAWN	Ku Chou	APP'D	Fido Weng	UNIT	mm	TOLERANCE	.x ±0.20 .xx ±0.10 .xxx ±0.05 .xxxx ±0.03	SCALE	1:1	ANGULA	±1°	TITLE	WP M12 (F) A-Code 板端後鑽PG9焊線式		SHEET		
CHK'D	Emily Suen											PART NO.	SEE TABLE A	DWG NO.	QC5851	VERSION	D