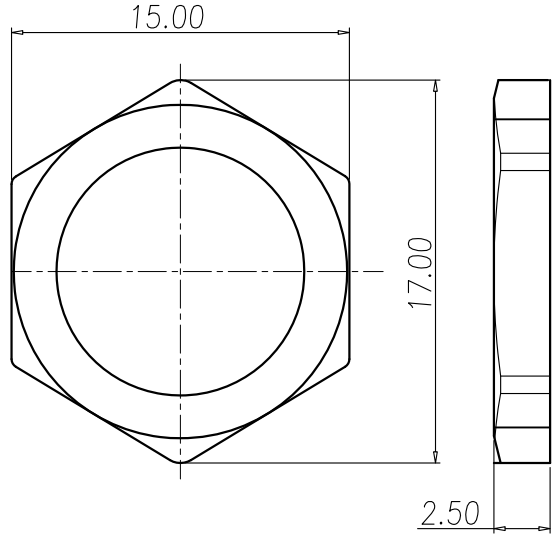


This document is the property of Nian-Yeong Corporation and is delivered on the express condition that it is not to be disclosed, reproduced or used, in whole or in part, for manufacture or sale by anyone other than Nian-Yeong Corporation without its prior consent, and that no right is granted to disclose or to use any information in this document.

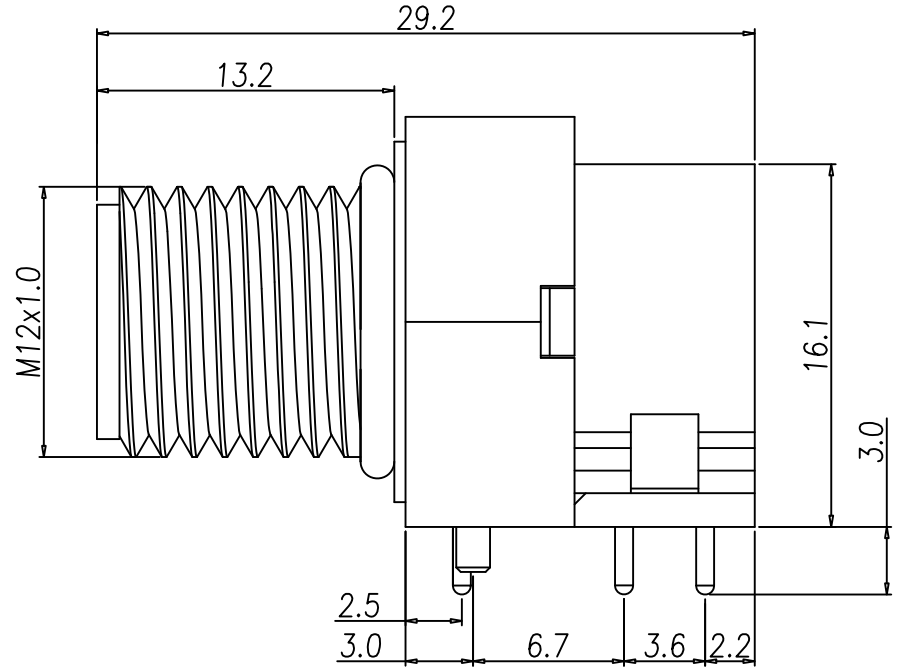
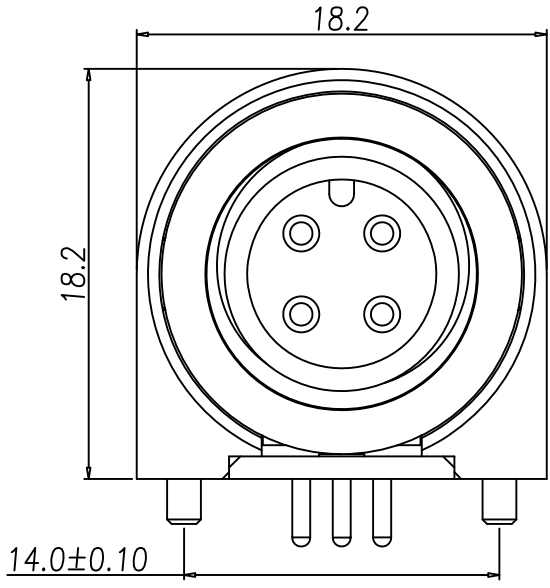
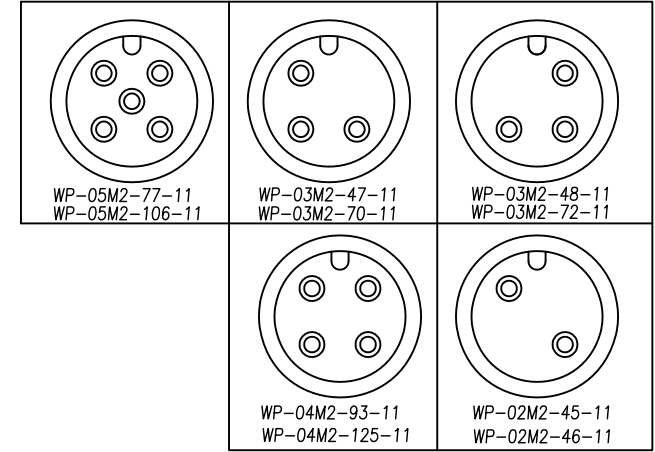
CUSTOMER DRAWING

REV.	DESCRIPTION	APPROVED BY	DATE	ECN NO.
A	RELEASE	Fido Weng	22/12/08*	
B				
C				



WP-02M2-46-11	GOLD 10u"
WP-03M2-72-11	GOLD 10u"
WP-05M2-106-11	GOLD 10u"
WP-04M2-125-11	GOLD 10u"
WP-03M2-70-11	GOLD 10u"
WP-02M2-45-11	GOLD FLASH
WP-05M2-77-11	GOLD FLASH
WP-04M2-93-11	GOLD FLASH
WP-03M2-48-11	GOLD FLASH
WP-03M2-47-11	GOLD FLASH
PART NO	FINISH

TABLE A



NOTE:

- MATERIAL :
 - HOUSING : PBT UL94V-0 ; COLOR : BLACK
 - CONTACT : BRASS
 - NUT : BRASS
 - SHELL : BRASS
 - O-RING : EPDM ; COLOR : BLACK
 - BACK HOUSING : PBT UL94V-0 ; COLOR : BLACK
 - DOWN HOUSING : PBT UL94V-0 ; COLOR : BLACK
- FINISH :
 - CONTACT : SEE TABLE A
 - NUT : NICKEL PLATED
 - SHELL : SATIN NICKEL 80u"~100u" ON OVER ALL
- ELECTRICAL SPECIFICATION :
 - Rated current : 4A
 - Rated voltage : 2~4PIN 250V ; 5PIN 60V
 - Water proof : IPX7
- Environmental :
 - Operation Temperature : -40°C~+85°C

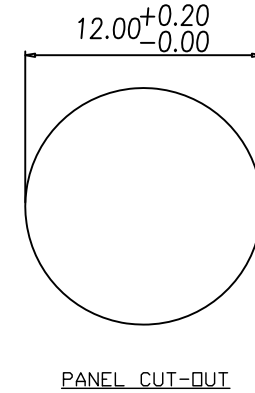
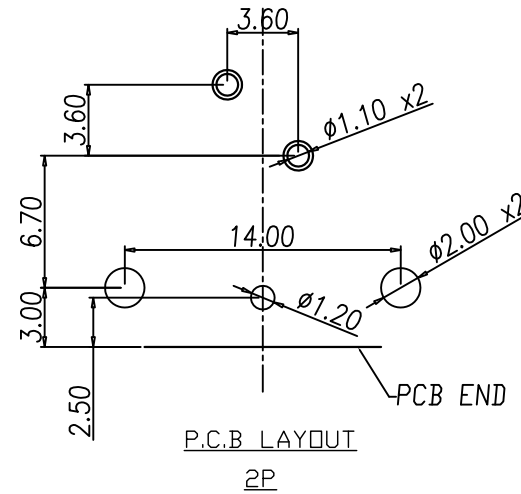
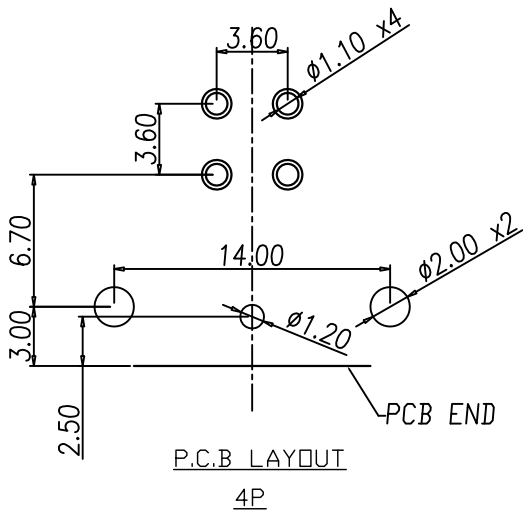
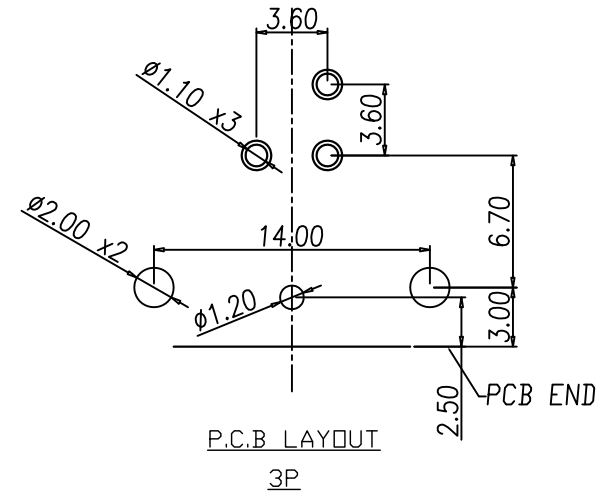
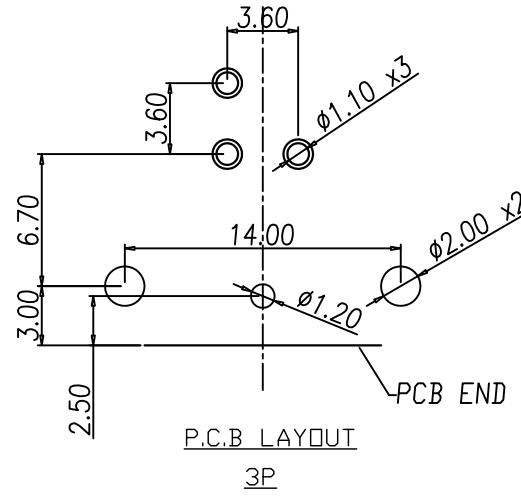
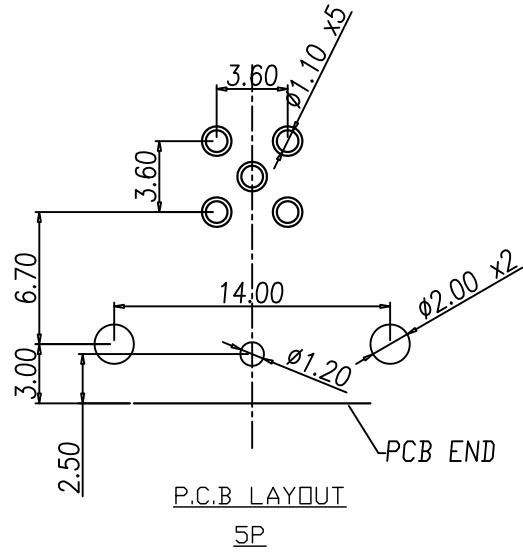
DRAWN	Yeh Chou	APPEND	Emily Suen	UNIT	mm	TOLERANCE				TITLE	WATERPROOF M12*1.0 (M) 90度板端			SHEET	1/1
CHK'D	Emily Suen	SCALE	1:1	ANGULAR	±1°	PART NO.				SEE TABLE A	DWG NO.	QC6453	VERSION	A	

NIAN YEONG ENTERPRISE
年永實業有限公司

This document is the property of Nian-Yeong Corporation and is delivered on the express condition that it is not to be disclosed, reproduced or used, in whole or in part, for manufacture or sale by anyone other than Nian-Yeong Corporation without its prior consent, and that no right is granted to disclose or to use any information in this document.

CUSTOMER DRAWING

REV.	DESCRIPTION	APPROVED BY	DATE	ECN NO.
△				
△				
△				



DRAWN	Yeh Chou	APPEND	Emily Suen	UNIT	mm	TOLERANCE			NIAN YEONG ENTERPRISE 年永實業有限公司	TITLE	WATERPROOF M12*1.0 (M) 90度板端			SHEET	1/1
CHK'D	Emily Suen			SCALE	1:1	.x ±0.20 .xx ±0.10 .xxx ±0.05 .xxxx ±0.03 ANGULA ±1°				PART NO.	SEE TABLE A	DWG NO.	QC6453	VERSION	A