

This document is the property of Nian-Yeong Corporation and is delivered on the express condition that it is not to be disclosed, reproduced or used, in whole or in part, for manufacture or sale by anyone other than Nian-Yeong Corporation without its prior consent, and that no right is granted to disclose or to use any information in this document.

# CUSTOMER DRAWING

REV.	DESCRIPTION	APPROVED BY	DATE	ECN NO.
A	RELEASE	Fido Weng	04/03/10*	
B				
C				

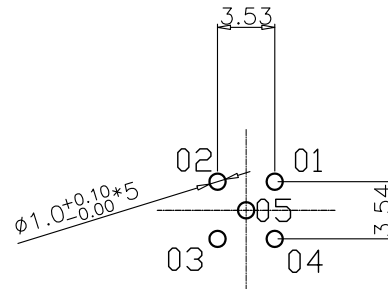
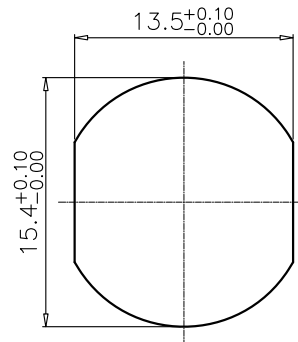
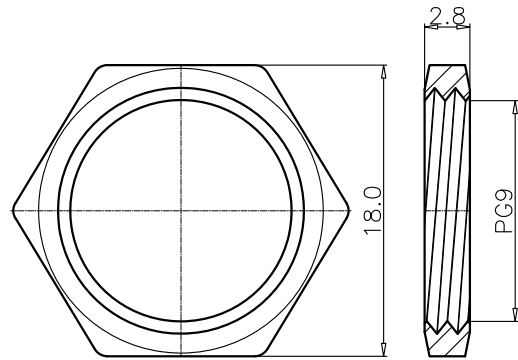
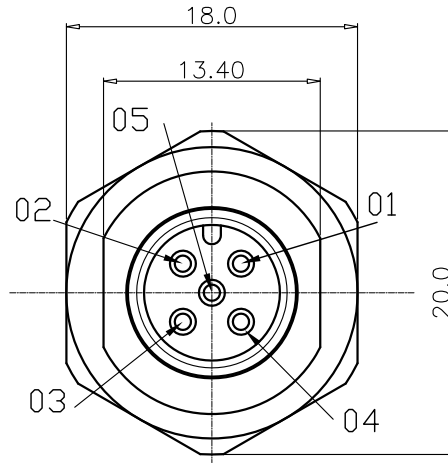
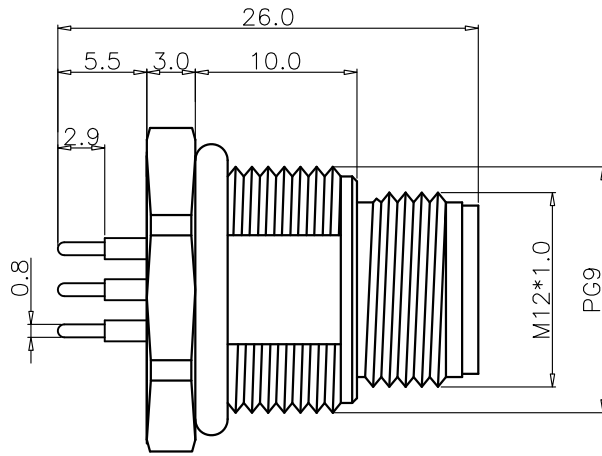


TABLE A

WP-05M2-58	WP-03M2-24 WP-03M2-68-11	WP-03M2-49-11 WP-03M2-69-11
WP-04M2-66	WP-02M2-14	
WP-03M2-69-11	GOLD FLASH	
WP-03M2-68-11	GOLD FLASH	
WP-03M2-49-11	GOLD 10u"	
WP-03M2-24	GOLD 10u"	
WP-05M2-58	GOLD 10u"	
WP-02M2-14	GOLD 10u"	
WP-04M2-66	GOLD 10u"	
PART NO	FINISH	

- MATERIAL :
  - HOUSING : PBT UL94V-0 ; COLOR : BLACK
  - CONTACT : BRASS
  - NUT : BRASS
  - SHELL : BRASS
  - O-RING : EPDM ; COLOR : BLACK
- FINISH :
  - CONTACT : SEE TABLE A
  - NUT : NICKEL PLATED
  - SHELL : NICKEL PLATED
- ELECTRICAL SPECIFICATION :
  - Rated current : 4A
  - Rated voltage : 2~4PIN 250V ; 5PIN 60V
  - Water proof: IPX7
- Environmental :
  - Operation Temperature : -40°C~85°C

**NUT**

RECOMMEND PANEL CUT-OUT RECOMMEND P.C.B LAYOUT

DRAWN	APPEND	UNIT	TOLERANCE	TITLE	SHEET
Ku Chou	Fido Weng	mm	.x ±0.20 .xx ±0.10 .xxx ±0.05 .xxxx ±0.03	防水頭 M12 A-Code (M) 前鎖 Pg9 插件式	1
CHOKED	Emily Suen	SCALE 1:1	ANGULA ±1°	PART NO. SEE TABLE A	VERSION A



DRAWN	APPEND	UNIT	TOLERANCE	TITLE	SHEET
Ku Chou	Fido Weng	mm	.x ±0.20 .xx ±0.10 .xxx ±0.05 .xxxx ±0.03	防水頭 M12 A-Code (M) 前鎖 Pg9 插件式	1
CHOKED	Emily Suen	SCALE 1:1	ANGULA ±1°	PART NO. SEE TABLE A	VERSION A