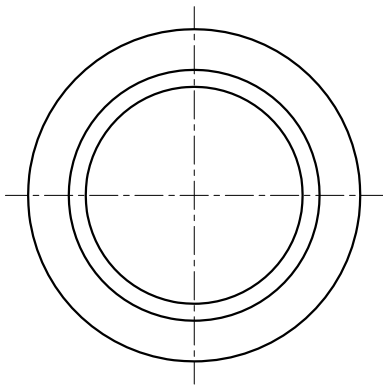
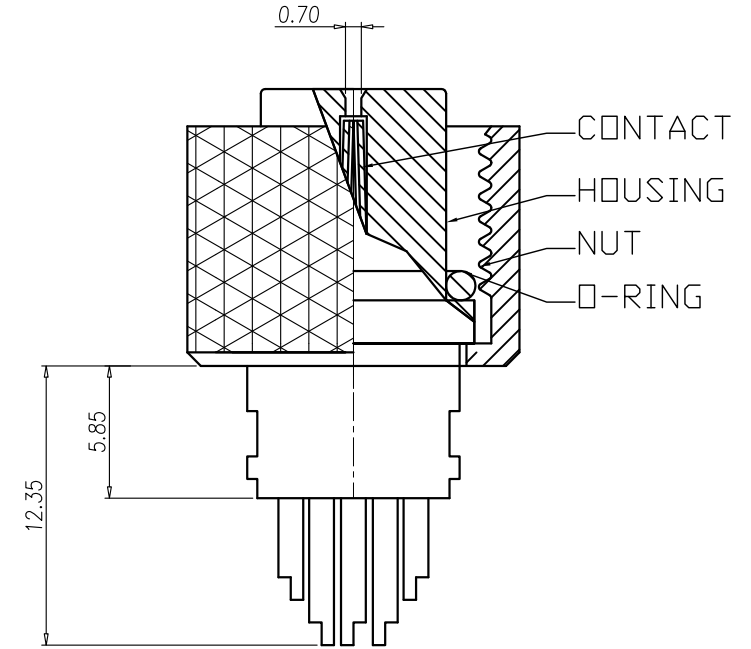
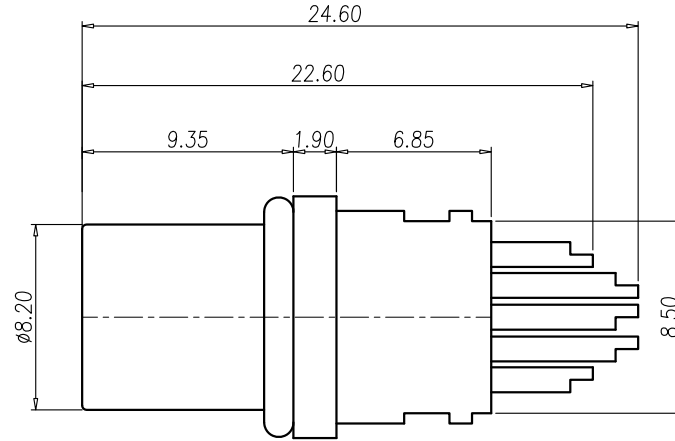
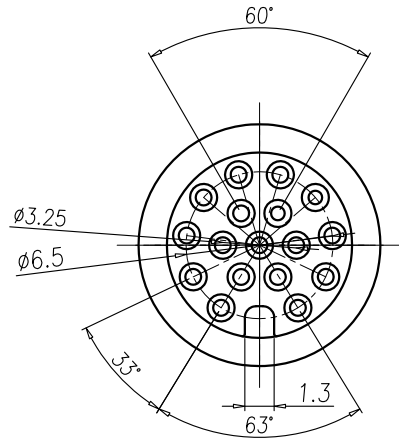


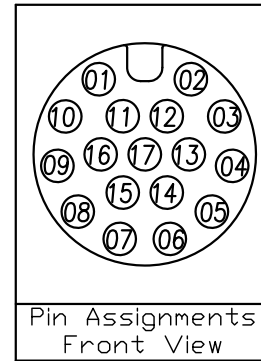
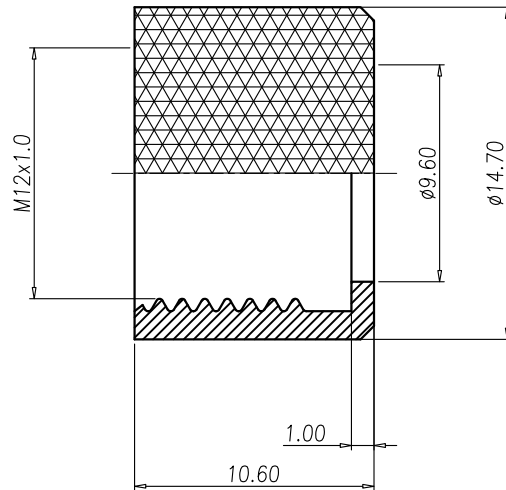
This document is the property of Nian-Yeong Corporation and is delivered on the express condition that it is not to be disclosed, reproduced or used, in whole or in part, for manufacture or sale by anyone other than Nian-Yeong Corporation without its prior consent, and that no right is granted to disclose or to use any information in this document.

CUSTOMER DRAWING

REV.	DESCRIPTION	APPROVED BY	DATE	ECN NO.
A	RELEASE	Fido Weng	10/05/10'	
B				
C				



NUT



- MATERIAL :
 - 1-1. HOUSING : PBT UL94V-0 ; COLOR : BLACK
 - 1-2. CONTACT : BRASS
 - 1-3. NUT : BRASS
 - 1-4. O-RING : EDPM
- FINISH :
 - 2-1. CONTACT : 10 MICRO INCHES MIN. GOLD PLATED
UNDER PLATE : NICKEL
 - 2-2. NUT : NICKEL PLATED
- ELECTRICAL SPECIFICATION :
 - 3-1. Rated current : 1.5A
 - 3-2. Rated voltage : 30V
 - 3-3. Water proof : IPX7
- Environmental :
 - 4-1. Operation Temperature : -40°C~85°C

DRAWN	Mark Kao	APP'D	Ku Chou	UNIT	mm	TOLERANCE				TITLE	WP M12 17P(F) 焊線式			SHEET	1
CHK'D	Emily Suen	SCALE	1:1		.x ±0.20 .xx ±0.10 .xxx ±0.05 .xxxx ±0.01 ANGULA ±1°	PART NO.				WP-17F2-01	DWG NO.	QC4724	VERSION	A	

NIAN YEONG ENTERPRISE
年永實業有限公司