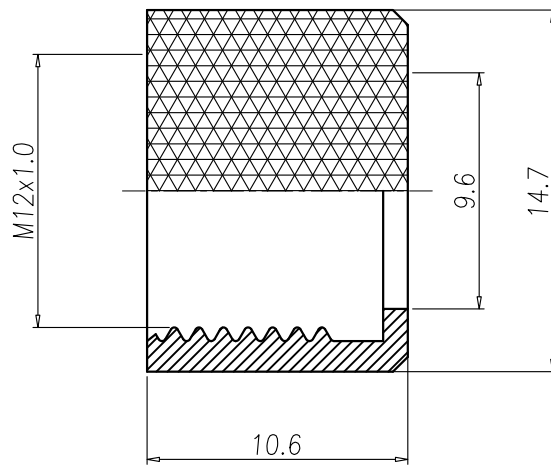
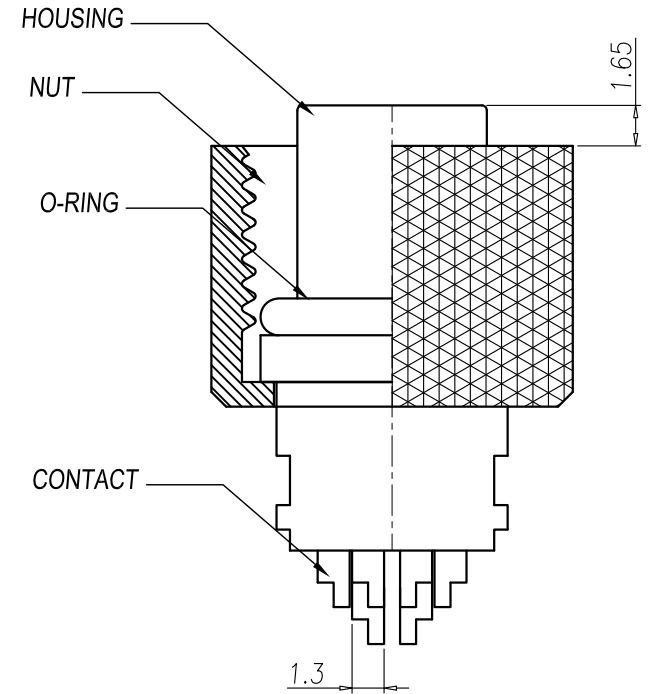
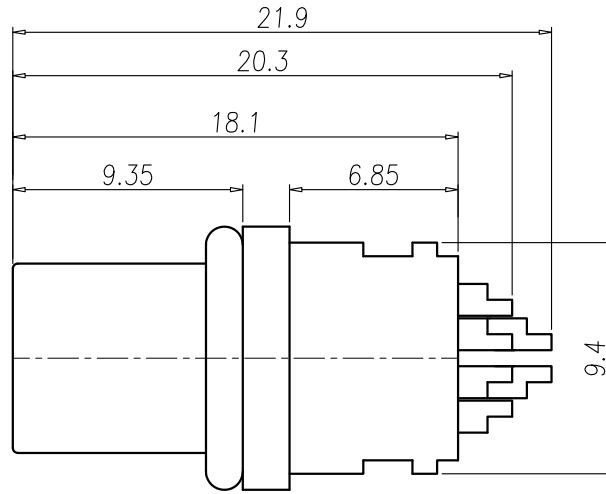
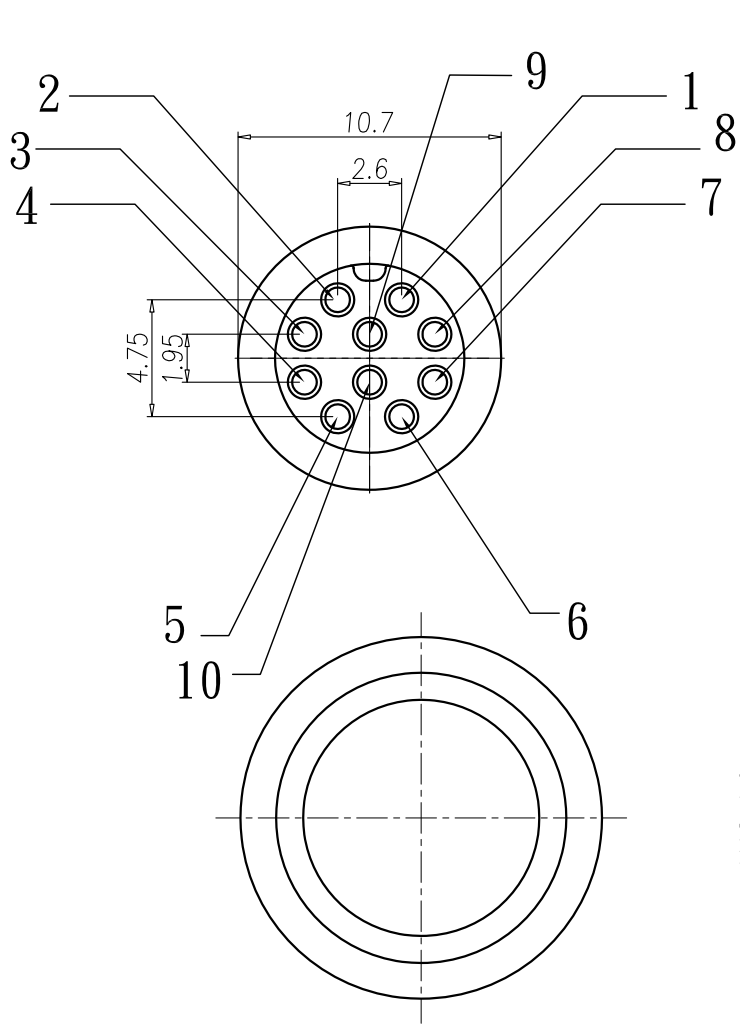


This document is the property of Nian-Yeong Corporation and is delivered on the express condition that it is not to be disclosed, reproduced or used, in whole or in part, for manufacture or sale by anyone other than Nian-Yeong Corporation without its prior consent, and that no right is granted to disclose or to use any information in this document.

# CUSTOMER DRAWING

REV.	DESCRIPTION	APPROVED BY	DATE	ECN NO.
A	RELEASE	Fido Weng	04/08/09*	
B				
C				



## NUT

- MATERIAL :**
  - 1-1. HOUSING : PBT UL94V-0 ; COLOR : BLACK
  - 1-2. CONTACT : BRASS
  - 1-3. NUT : BRASS
  - 1-4. O-RING : EPDM ; COLOR : BLACK
- FINISH :**
  - 2-1. CONTACT : 10 MICRO INCHES MIN. GOLD PLATED
  - 2-2. NUT : NICKEL PLATED
- ELECTRICAL SPECIFICATION :**
  - 3-1. Rated current : 2A
  - 3-2. Rated voltage : 30V
  - 3-3. Water proof : IPX7
- Environmental :**
  - 4-1. Operation Temperature : -40°C~85°C

DRAWN	Ku Chou	APPEND	Fido Weng	UNIT	mm	TOLERANCE	<b>NIAN YEONG ENTERPRISE</b> 年永實業有限公司	TITLE	WP M12 10PIN(F) 插線式			SHEET	 VERSION A
CHOKED	Emily Suen			SCALE	1:1	.x ±0.20 .xx ±0.10 .xxx ±0.05 .xxxx ±0.03 ANGULA ±1°		PART NO.	WP-10F2-03	DWG NO.	QC4364		