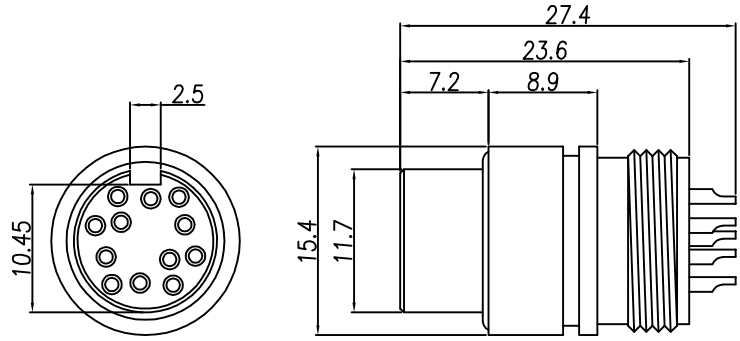


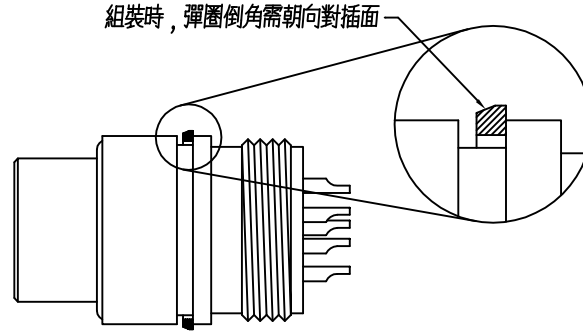
This document is the property of Nian-Yeong Corporation and is delivered on the express condition that it is not to be disclosed, reproduced or used, in whole or in part, for manufacture or sale by anyone other than Nian-Yeong Corporation without its prior consent, and that no right is granted to disclose or to use any information in this document.

CUSTOMER DRAWING

REV.	DESCRIPTION	APPROVED BY	DATE	ECN NO.
B	新增料號	KU	10/11/17*	
C	修改工作溫度	KU	26/06/18*	
D	新增料號	LED	20/07/18*	
E	新增料號	Yeh	15/03/19*	
F	設變彈圈結構	KU	08/05/19*	



HOUSING & SHELL1 & CONTACT & O-RING

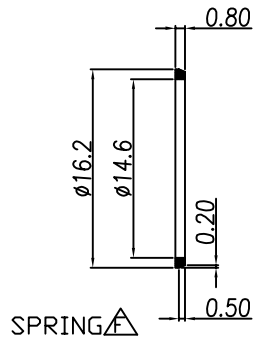


ASS'Y

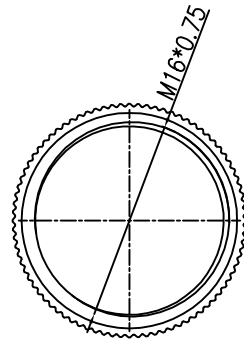
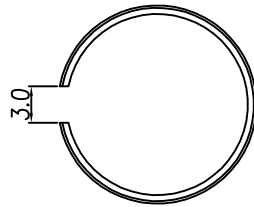
- MATERIAL :
 - HOUSING : PA66 ; COLOR : BLACK.
 - CONTACT : BRASS.
 - NUT : BRASS.
 - SHELL : ZINC ALLOY
 - SPRING : STAINLESS STEEL.
 - O-RING : EPDM
- FINISH :
 - CONTACT : SEE TABLE A
 - NUT : NICKEL PLATED OVER ALL
 - SHELL : NICKEL PLATED OVER ALL
- ELECTRICAL SPECIFICATION :
 - Rated current : 3~8P 5A ; 12P~14P 3A
 - Rated voltage : 3~8P 250V;12~14P 60V
 - Water proof : IP67
- Environmental :
 - Operation Temperature : -40°C~85°C

TABLE A

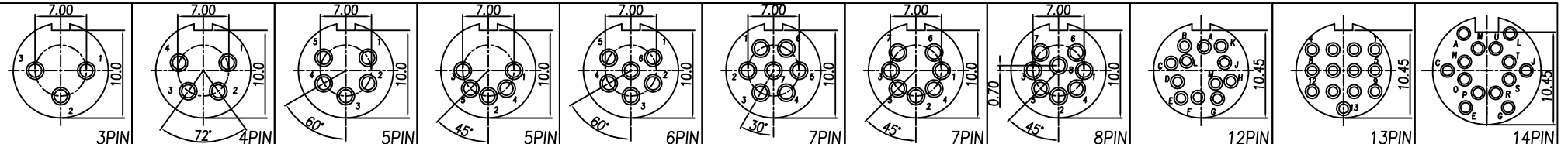
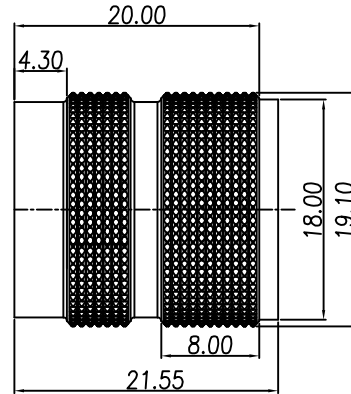
E	14P	DI-14F1-01-11	GOLD FLASH PLATED
B	13P	DI-13F2-09-11	GOLD FLASH PLATED
	12P	DI-12F1-04-11	GOLD FLASH PLATED
	12P	DI-12F1-03-11	SILVER PLATED
	8P	DI-08F1-06-11	GOLD FLASH PLATED
	8P	DI-08F1-05-11	SILVER PLATED
A	7P	DI-07F1-09-11	GOLD FLASH PLATED
A	7P	DI-07F1-08-11	SILVER PLATED
	7P	DI-07F1-05-11	GOLD FLASH PLATED
	7P	DI-07F1-04-11	SILVER PLATED
	6P	DI-06F1-05-11	GOLD FLASH PLATED
	6P	DI-06F1-04-11	SILVER PLATED
	5P	DI-05F1-07-11	GOLD FLASH PLATED
	5P	DI-05F1-06-11	SILVER PLATED
	5P	DI-05F1-09-11	GOLD FLASH PLATED
	5P	DI-05F1-08-11	SILVER PLATED
	4P	DI-04F1-05-11	GOLD FLASH PLATED
	4P	DI-04F1-04-11	SILVER PLATED
	3P	DI-03F1-04-11	GOLD FLASH PLATED
	3P	DI-03F1-03-11	SILVER PLATED
	PIN	P/N	CONTACT FINSH



SPRING



NUT



DI-03F1-03-11	DI-04F1-04-11	DI-05F1-08-11	DI-05F1-06-11	DI-06F1-04-11	DI-07F1-08-11	DI-07F1-04-11	DI-08F1-05-11	DI-12F1-03-11	DI-13F2-09-11	DI-14F1-01-11
DI-03F1-04-11	DI-04F1-05-11	DI-05F1-09-11	DI-05F1-07-11	DI-06F1-05-11	DI-07F1-09-11	DI-07F1-05-11	DI-08F1-06-11	DI-12F1-04-11		

DRAWN	Ku Chou	APPEND	Emily Suen	UNIT	mm	TOLERANCE		TITLE	防水 DIN (F) 線端成型式			SHEET
CHK'D	Emily Suen			SCALE	1:1				PART NO.	SEE TABLE A	DWG NO.	QC7207

NIAN YEONG ENTERPRISE
年永實業有限公司

1
F