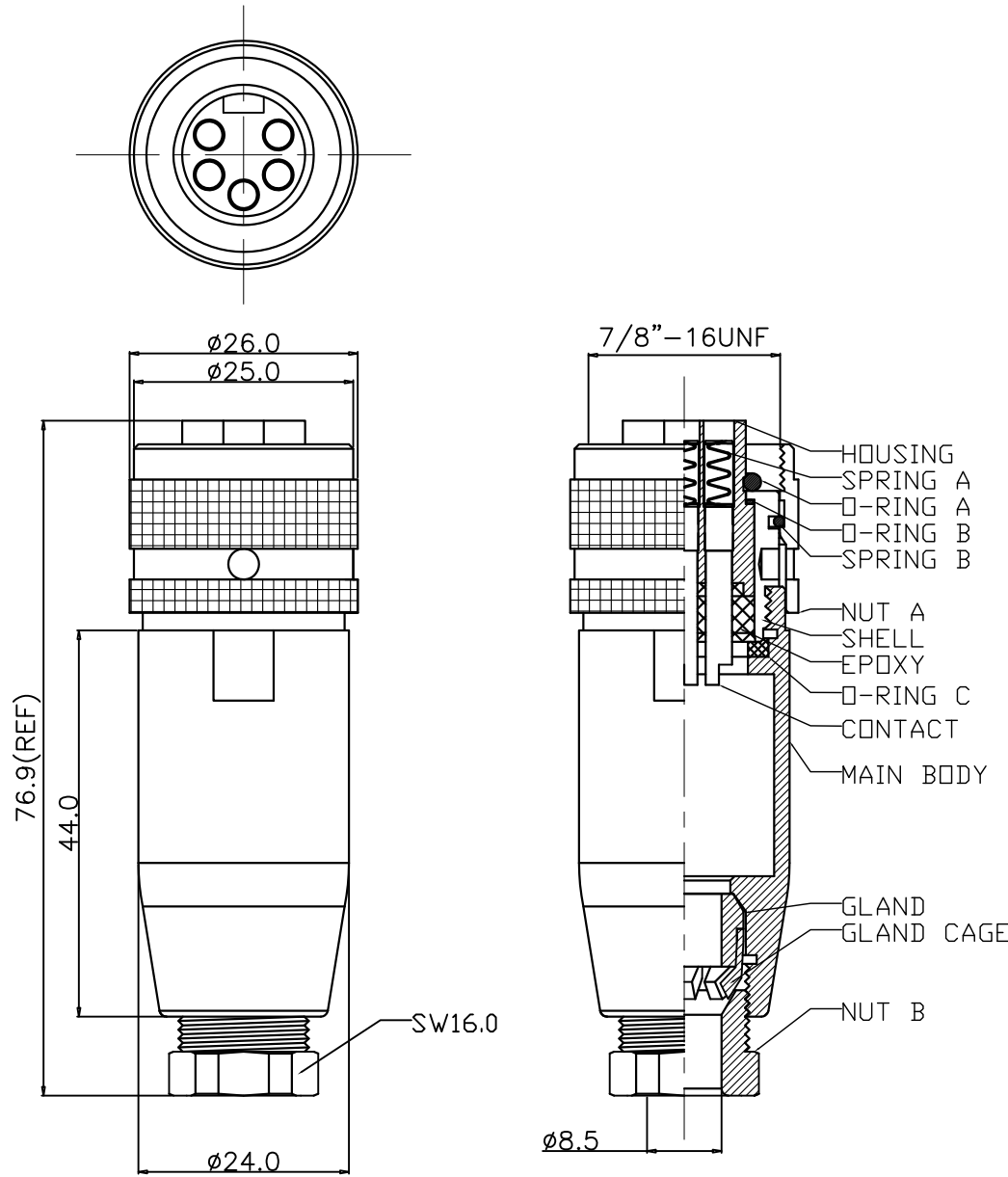


This document is the property of Nian-Yeong Corporation and is delivered on the express condition that it is not to be disclosed, reproduced or used, in whole or in part, for manufacture or sale by anyone other than Nian-Yeong Corporation without its prior consent, and that no right is granted to disclose or to use any information in this document.

# CUSTOMER DRAWING

REV.	DESCRIPTION	APPROVED BY	DATE	ECN NO.
A	RELEASE	Yeh Chou	2016/10/05	
B				
C				



- MATERIAL :**
  - 1-1. HOUSING : PBT UL94V-0 ; COLOR : BLACK.
  - 1-2. SPRING A : PHOSPHOR BRONZE.
  - 1-3. O-RING A : EPDM ; COLOR : BLACK.
  - 1-4. O-RING B : SILICONE ; COLOR : BLACK.
  - 1-5. SPRING B : STAINLESS STEEL.
  - 1-6. O-RING C : SILICONE ; COLOR : BLACK.
  - 1-7. NUT A : BRASS.
  - 1-8. SHELL : BRASS.
  - 1-9. CONTACT : BRASS.
  - 1-10. MAIN BODY : ALUMINIUM ALLOY.
  - 1-11. GLAND : SILICONE ; COLOR : BLACK.
  - 1-12. GLAND CAGE : POM ; COLOR : WHITE.
  - 1-13. NUT B : ALUMINIUM ALLOY.
- FINISH :**
  - 2-1. SPRING A : MATTE TIN PLATED.
  - 2-2. NUT A : SATIN NICKEL PLATED.
  - 2-3. SHELL : SATIN NICKEL PLATED.
  - 2-4. CONTACT : 30 MICRO INCHES MIN. GOLD PLATED.
  - 2-5. MAIN BODY : SATIN NICKEL PLATED.
  - 2-6. NUT B : SATIN NICKEL PLATED.
- ELECTRICAL SPECIFICATION :**
  - 3-1. Rated current : 20A
  - 3-2. Rated voltage : 250V
  - 3-3. Water proof : IP67
- Environmental :**
  - 4-1. Operation Temperature : -40°C~85°C

DRAWN	Ku Chou	APP'D	Emily Suen	UNIT	mm	TOLERANCE		TITLE	7/8 5PIN (F) Assembly type—焊線式			SHEET
CHK'D	Emily Suen			SCALE	1:1	.x ±0.25 .xx ±0.10 .xxx ±0.05 .xxxx ±0.03 ANGULA ±1°		PART NO.	WP-05F2-124-11	DWG NO.	QC7624	VERSION
							NIAN YEONG ENTERPRISE					
							年永實業有限公司					