

This document is the property of Nian-Yeong Corporation and is delivered on the express condition that it is not to be disclosed, reproduced or used, in whole or in part, for manufacture or sale by anyone other than Nian-Yeong Corporation without its prior consent, and that no right is granted to disclose or to use any information in this document.

CUSTOMER DRAWING

REV.	DESCRIPTION	APPROVED BY	DATE	ECN NO.
A	RELEASE	Emily Suen	06/03/12*	
B				
C				

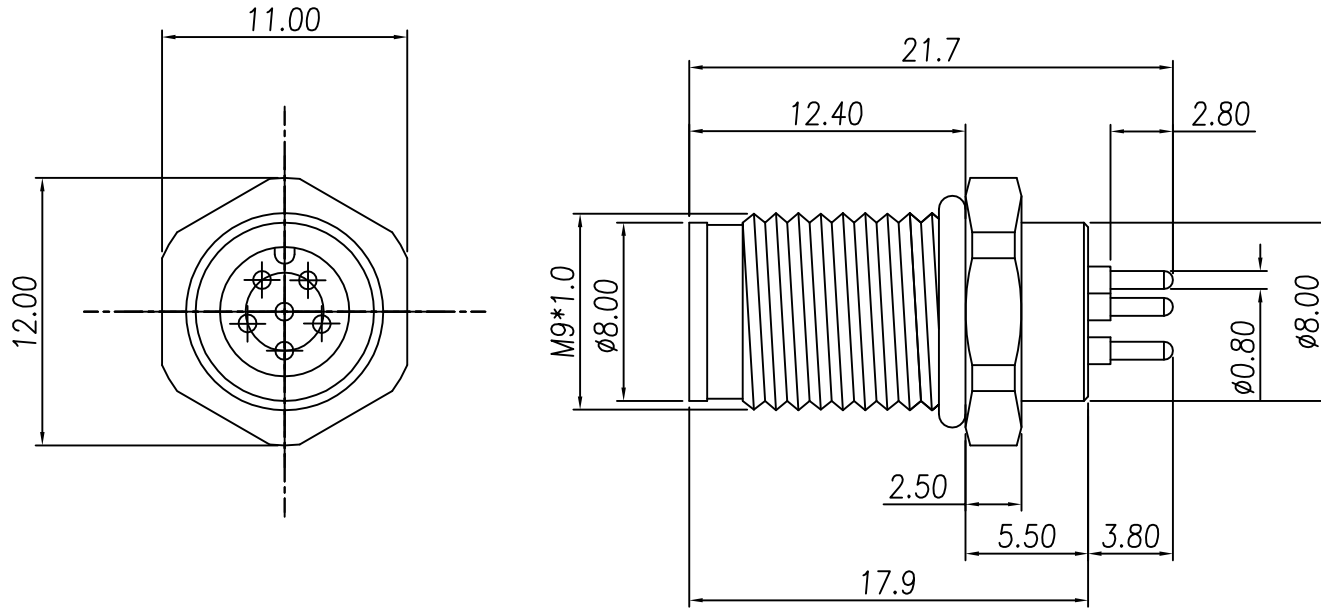
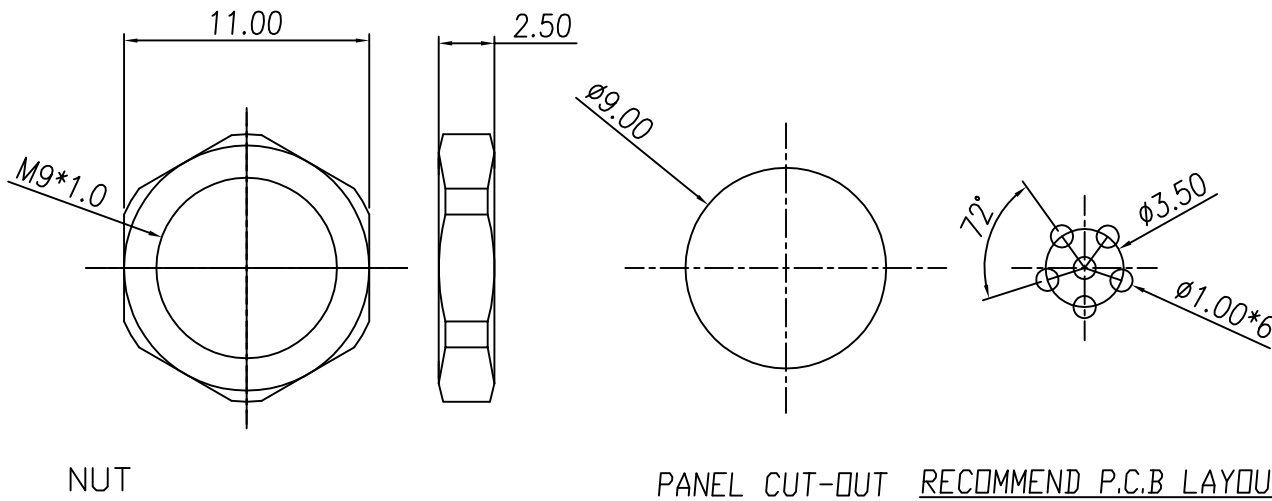


TABLE A

WP-06M2-24	WP-05M2-113-11



1. MATERIAL :
  - 1-1. HOUSING : PBT UL94V-0 ; COLOR : BLACK
  - 1-2. CONTACT : BRASS
  - 1-3. SHELL : BRASS
  - 1-4. O-RING : EDPM ; COLOR : BLACK
  - 1-5. NUT : BRASS.
2. FINISH :
  - 2-1. CONTACT : GOLD FLASH PLATED
  - 2-2. SHELL : NICKEL PLATED .
  - 2-3. NUT : NICKEL PLATED .
3. ELECTRICAL SPECIFICATION :
  - 3-1. Rated current : 4A
  - 3-2. Rated voltage : 60V
  - 3-3. Water proof : IPX7
4. Environmental :
  - 4-1. Operation Temperature : -20°C~85°C

DRAWN	APP'D	UNIT	TOLERANCE	TITLE	SHEET
Mark Kao	Ku Chou	mm	.x ±0.20	WP M9 (M) 板端前鎖DIP式	1
Emily Suen		SCALE 1:1	.xx ±0.10		
				年永實業有限公司	VERSION A
				PART NO. SEE TABLE A	DWG NO. QC5790