

This document is the property of Nian-Yeong Corporation and is delivered on the express condition that it is not to be disclosed, reproduced or used, in whole or in part, for manufacture or sale by anyone other than Nian-Yeong Corporation without its prior consent, and that no right is granted to disclose or to use any information in this document.

CUSTOMER DRAWING

REV.	DESCRIPTION	APPROVED BY	DATE	ECN NO.
A	RELEASE	Fido Weng	20/04/09*	ECN09047
B	CHANGE & DIN	Fido Weng	02/12/10*	ECN10140
C				

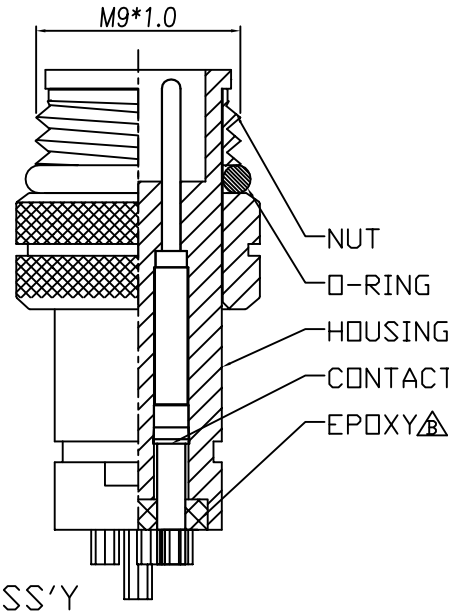
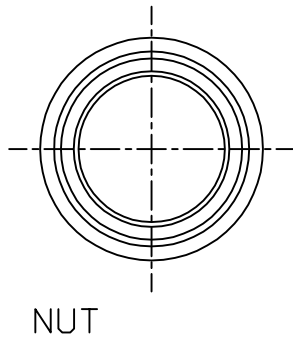
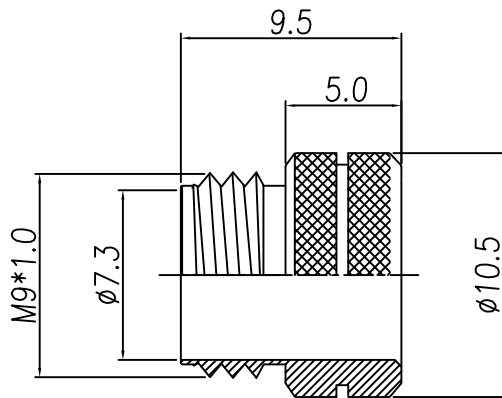
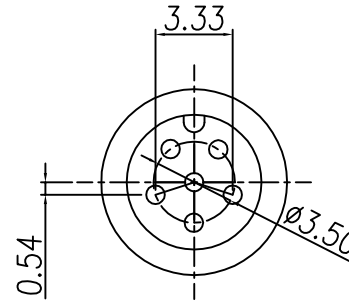
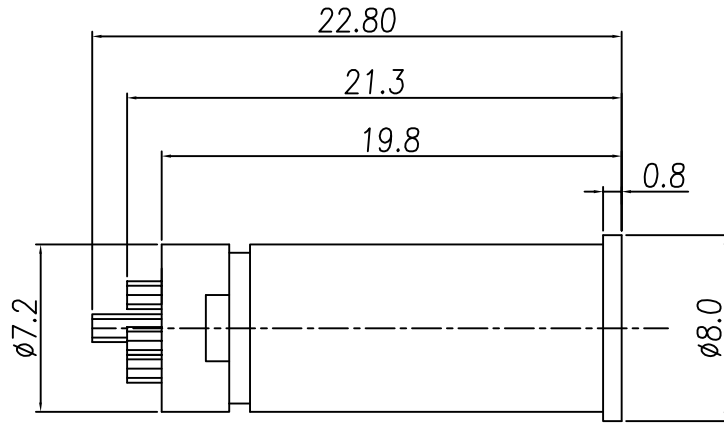


TABLE A

WP-05M2-26 WP-05M2-46	WP-06M2-06
WP-02M2-09	WP-04M2-48
WP-05M2-46	BLACK NICKEL PLATED
WP-06M2-06	NICKEL PLATED
WP-05M2-26	NICKEL PLATED
WP-04M2-48	NICKEL PLATED
WP-02M2-09	NICKEL PLATED
PART No.	FINISH(NUT)

- MATERIAL :
 - HOUSING : PBT UL94V-0 ; COLOR : BLACK
 - CONTACT : BRASS
 - O-RING : NBR ; COLOR : BLACK
 - NUT : BRASS
- FINISH :
 - CONTACT : 10 MICRO INCHES MIN. GOLD PLATED
 - UNDER PLATE : NICKEL
 - NUT : SEE TABLE A
- ELECTRICAL SPECIFICATION :
 - Rated current : 4A
 - Rated voltage : 60V
 - Water proof : IPX7
- Environmental :
 - Operation Temperature : -20°C~85°C

DRAWN	Ku Chou	APP'D	Emily Suen	UNIT	mm	TOLERANCE		TITLE	M9-(M)線端焊線式			SHEET	
CHK'D	Emily Suen			SCALE	1:1	.x ±0.20 .xx ±0.10 .xxx ±0.05 .xxxx ±0.03 ANGULA ±1°			PART NO.	SEE TABLE A	DWG NO.	QC3693	VERSION B

NIAN YEONG ENTERPRISE
年永實業有限公司