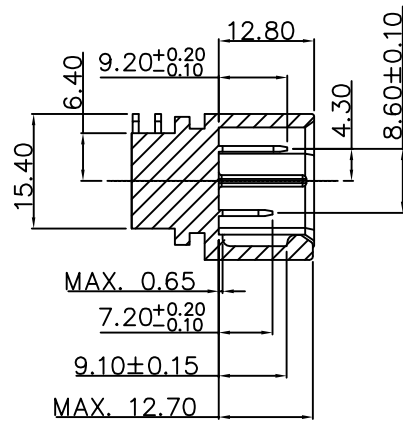
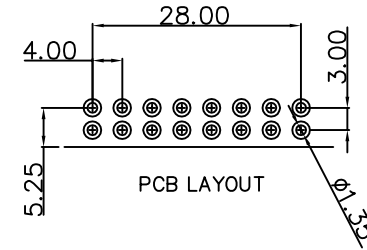
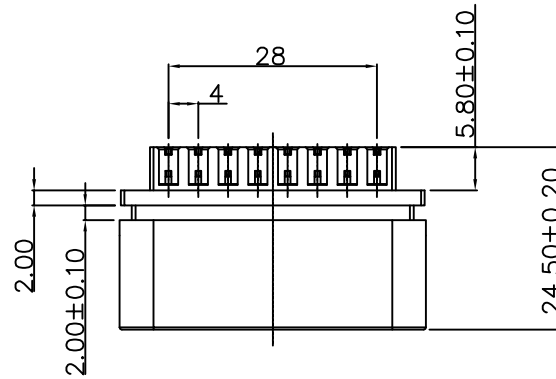


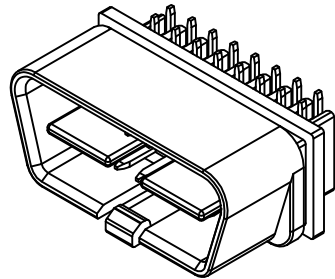
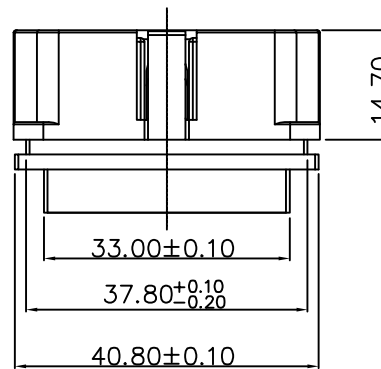
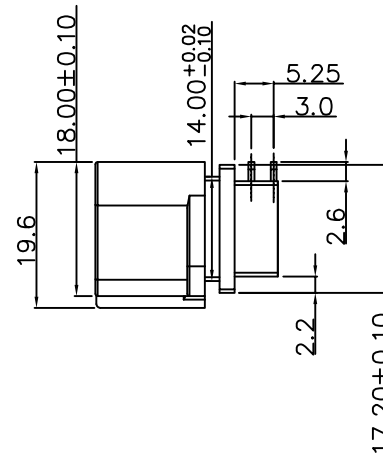
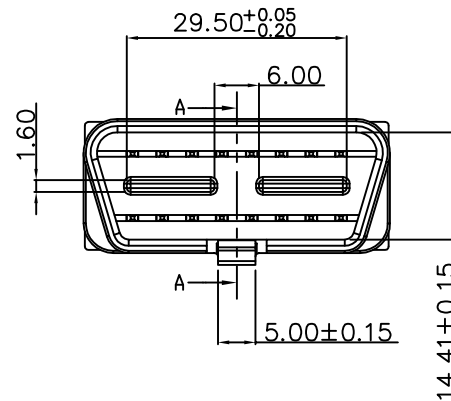
This document is the property of Nian-Yeong Corporation and is delivered on the express condition that it is not to be disclosed, reproduced or used, in whole or in part, for manufacture or sale by anyone other than Nian-Yeong Corporation without its prior consent, and that no right is granted to disclose or to use any information in this document.

# CUSTOMER DRAWING

REV.	DESCRIPTION	APPVL. BY	DATE	ECN NO.
△A				
△B				
△C				



Section A-A(SCALE 1:1)



1. MATERIAL :
  - 1-1. HOUSING : PC EXL9330 無鹵 (BK1A068)
  - 1-2. CONTACT : BRASS
2. FINISH :
  - 2-1. CONTACT : BRIGHT TIN.
3. Environmental :
  - 3-1. Operation Temperature : -40℃~85℃

DRAW	Ren Liao	APPVL	Fido Weng	UNIT	mm	TOLERANCE	   <b>NIAN YEONG ENTERPRISE</b> 年永實業有限公司	TITLE	OBD2 16P (M) 板上90° DIP (加長型)			SHEET	
CHECK	Emily Suen			SCALE	1:1	.x ±0.20 .xx ±0.10 .xxx ±0.05 .xxxx ±0.03 ANGULA ±1°		PART NO.	OBD2-16M3-04-11	DWG NO.	QC7630	VERSION	