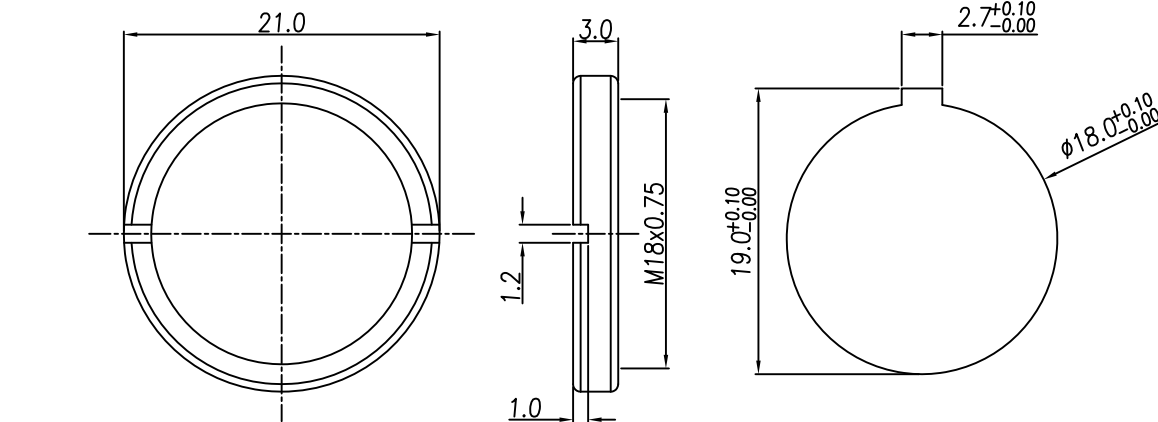
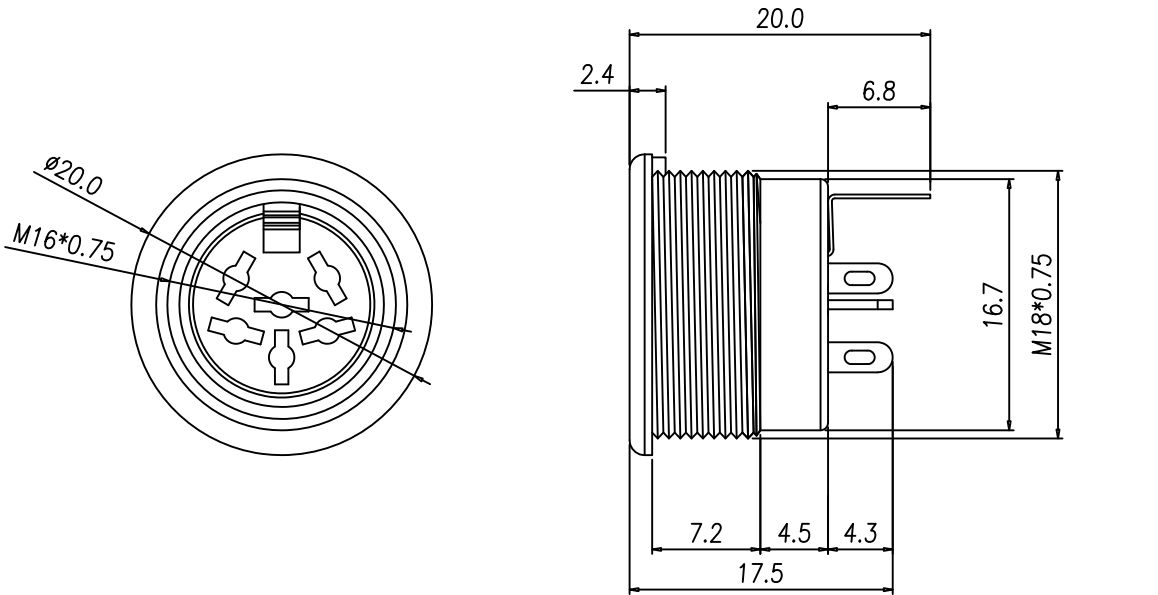


This document is the property of Nian-Yeong Corporation and is delivered on the express condition that it is not to be disclosed, reproduced or used, in whole or in part, for manufacture or sale by anyone other than Nian-Yeong Corporation without its prior consent, and that no right is granted to disclose or to use any information in this document.

CUSTOMER DRAWING

REV.	DESCRIPTION	APPVL. BY	DATE	ECN NO.
A	RELEASE	Fido Weng	05/10/23	
B				
C				



NUT

RECOMMEND PANEL CUT-OUT

TABLE A

3PIN	4PIN	5PIN(05-A)
DI-03F2-18-11	DI-04F2-25-11	DI-05F2-29-11
5PIN(05-B)	6PIN	
DI-05F2-28-11	DI-06F2-30-11	
7PIN	8PIN	
DI-07F2-27-11	DI-08F2-21-11	

NOTE

- MATERIAL :
 - HOUSING : PA66 UL94V-0 ; COLOR : BLACK
 - CONTACT : BRASS.
 - SHELL : PA66 UL94V-0 ; COLOR : GREY
 - NUT : BRASS
 - GROUND : PHOSPHOR BRONZE
- FINISH :
 - CONTACT : TIN PLATED.
 - NUT : NICKEL PLATED.
 - GROUND : NICKEL PLATED.
- ELECTRICAL SPECIFICATION :
 - Rated current : 5A
 - Rated Voltage : 250V
- Environmental :
 - Operation Temperature : -25°C~85°C

DRAW	Mark Kao	APPVL	Emily Suen	UNIT	mm	TOLERANCE			TITLE	DIN M16X0.75 (F) 後鑽螺絲式(塑膠外殼/魚叉式端子)			SHEET
CHECK	Emily Suen			SCALE	1:1	.x ±0.20 .xx ±0.10 .xxx ±0.05 .xxxx ±0.03 ANGULA ±1°			PART NO.	SEE TABLE A	DWG NO.	QC10891	VERSION