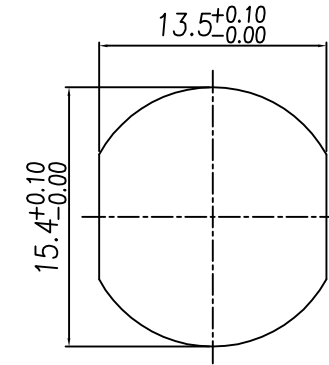
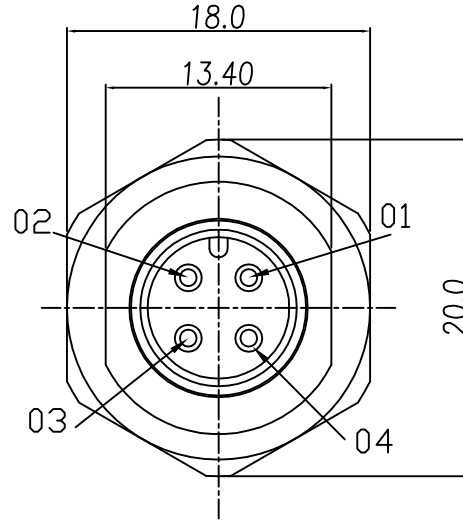
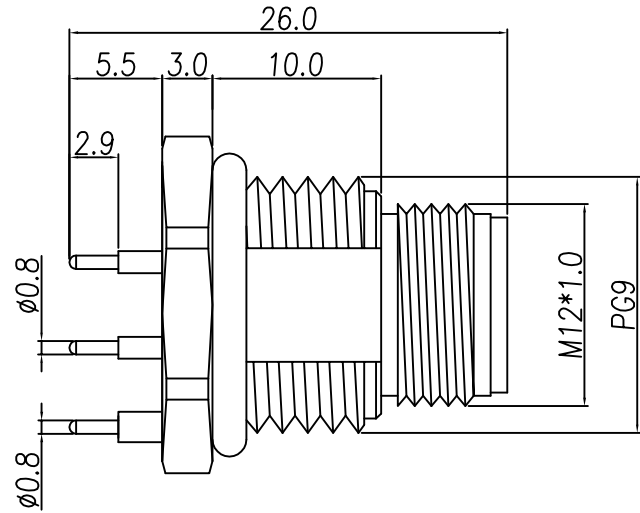


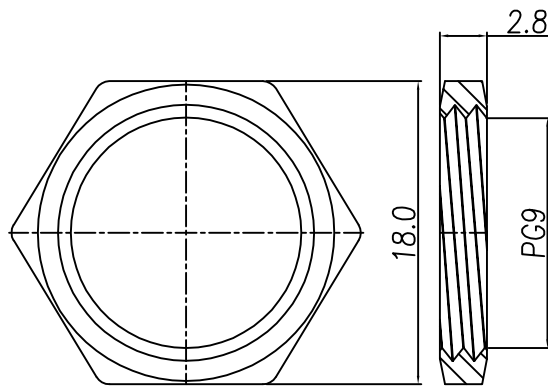
This document is the property of Nian-Yeong Corporation and is delivered on the express condition that it is not to be disclosed, reproduced or used, in whole or in part, for manufacture or sale by anyone other than Nian-Yeong Corporation without its prior consent, and that no right is granted to disclose or to use any information in this document.

CUSTOMER DRAWING

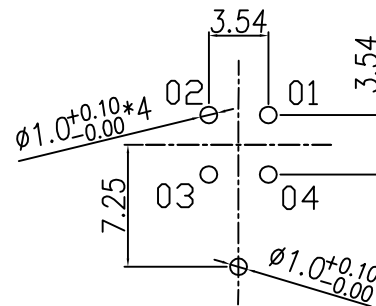
REV.	DESCRIPTION	APPROVED BY	DATE	ECN NO.
A	RELEASE	Fido Weng	19/05/23	
B				
C				



RECOMMEND PANEL CUT-OUT



NUT



RECOMMEND P.C.B LAYOUT

- MATERIAL :
 - 1-1. HOUSING : PBT UL94V-0 ; COLOR : BLACK
 - 1-2. CONTACT : BRASS
 - 1-3. NUT : BRASS
 - 1-4. SHELL : BRASS
 - 1-5. O-RING : EPDM ; COLOR : BLACK
- FINISH :
 - 2-1. CONTACT : 10u" GOLD PLATED
 - 2-2. NUT : NICKEL PLATED
 - 2-3. SHELL : NICKEL PLATED
- ELECTRICAL SPECIFICATION :
 - 3-1. Rated current : 4A
 - 3-2. Rated voltage : 250V
 - 3-3. Water proof: IP67/IP68
- Environmental :
 - 4-1. Operation Temperature : -40℃~85℃

DRAWN	Mark Kao	APPEND	Fido Weng	UNIT	mm	TOLERANCE		TITLE	防水頭 M12 A-Code 4PIN(M) 前鎖 PG9 插件式(帶接地)			SHEET	
CHOKED	Emily Suen			SCALE	1:1	.x ±0.20 .xx ±0.10 .xxx ±0.05 .xxxx ±0.03 ANGULA ±1°		PART NO.	WP-04M3-18-11	DWG NO.	QC10676	VERSION	