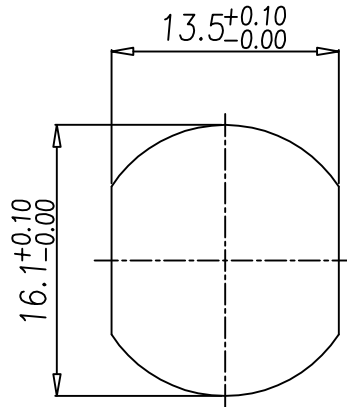
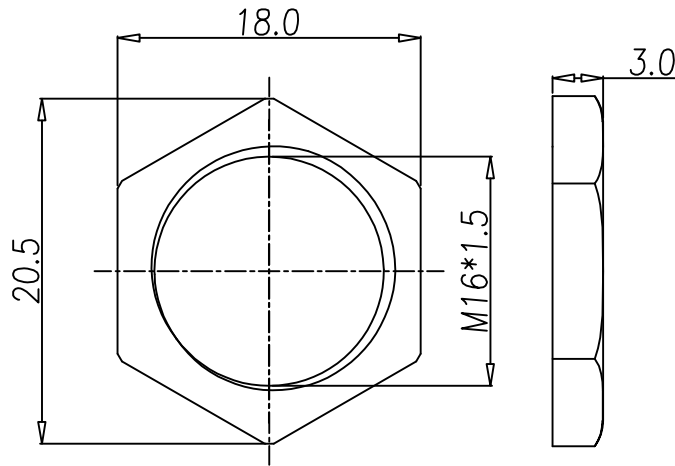
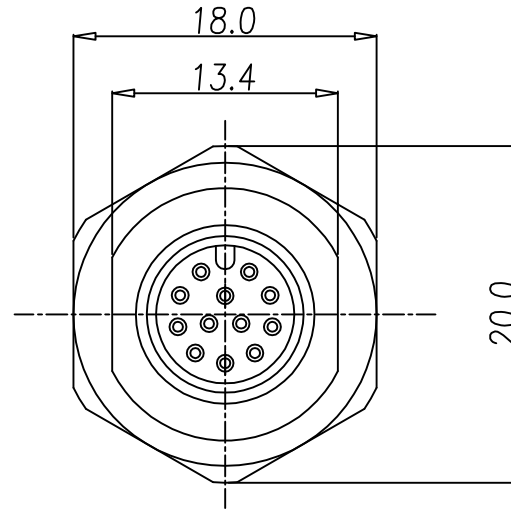
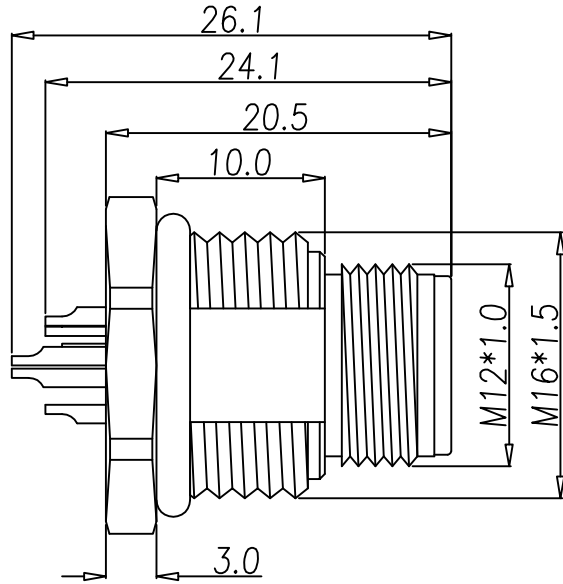


This document is the property of Nian-Yeong Corporation and is delivered on the express condition that it is not to be disclosed, reproduced or used, in whole or in part, for manufacture or sale by anyone other than Nian-Yeong Corporation without its prior consent, and that no right is granted to disclose or to use any information in this document.

# CUSTOMER DRAWING

REV.	DESCRIPTION	APPROVED BY	DATE	ECN NO.
A	RELEASE	Fido Weng	09/05/23*	
B				
C				



NUT

RECOMMENDPANEL CUT-OUT

- MATERIAL :
  - HOUSING : PBT UL94V-0 ; COLOR : BLACK.
  - CONTACT : BRASS.
  - NUT : BRASS
  - SHELL : BRASS
  - O-RING : EPDM ; COLOR : BLACK.
- FINISH :
  - CONTACT : 10 MICRO INCHES MIN. GOLD PLATED  
UNDER PLATE : NICKEL
  - NUT : NICKEL PLATED
  - SHELL : NICKEL PLATED
- ELECTRICAL SPECIFICATION :
  - Rated current : 1.5A
  - Rated Voltage : 30V
  - Water proof: IP67
- Environmental :
  - Operation Temperature : -40°C~85°C

DRAWN	Mark Kao	APPEND	Fido Weng	UNIT	mm	TOLERANCE		TITLE	M12 12PIN(M) 前端M16*1.5 焊線式	SHEET			
CHOKED	Emily Suen			SCALE	1:1	.x ±0.20 .xx ±0.10 .xxx ±0.05 .xxxx ±0.03 ANGULA ±1°		PART NO.	WP-12M2-35-11	DWG NO.	QC10667	VERSION	A

**NIAN YEONG ENTERPRISE**  
年永實業有限公司