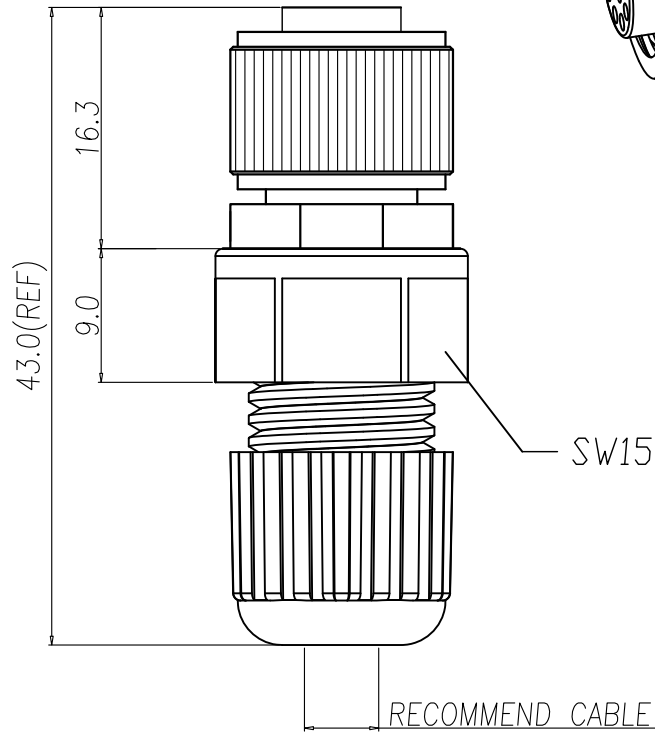
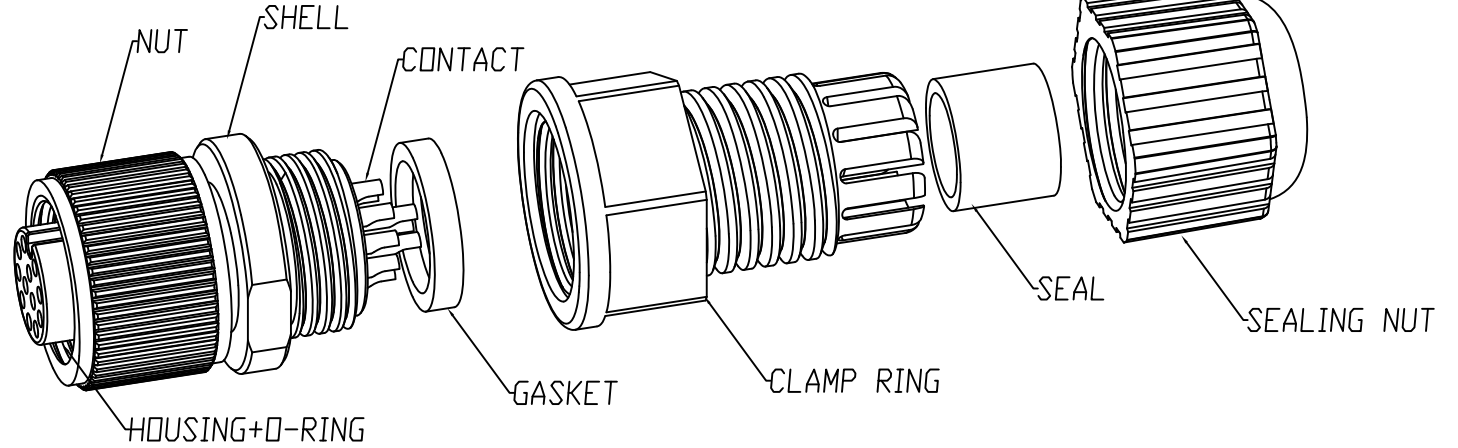
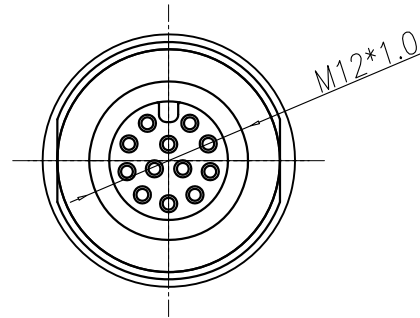


This document is the property of Nian-Yeong Corporation and is delivered on the express condition that it is not to be disclosed, reproduced or used, in whole or in part, for manufacture or sale by anyone other than Nian-Yeong Corporation without its prior consent, and that no right is granted to disclose or to use any information in this document.

CUSTOMER DRAWING

REV.	DESCRIPTION	APPROVED BY	DATE	ECN NO.
A	RELEASE	Ku Chou	22/02/19*	
B				
C				



1. MATERIAL :
  - 1-1. HOUSING : PBT UL94V-0 ; COLOR : BLACK.
  - 1-2. CONTACT : BRASS
  - 1-3. SHELL : BRASS
  - 1-4. O-RING : EPDM
  - 1-5. NUT : ALUMINUM ALLOY
  - 1-6. GASKET : SILICONE
  - 1-7. CLAMP RING : PA66
  - 1-8. SEAL : SILICONE
  - 1-9. SEALING NUT : PA66
2. FINISH :
  - 2-1. CONTACT : GOLD FLASH PLATED.
  - 2-2. NUT : NICKEL PLATED.
  - 2-3. SHELL : NICKEL PLATED.
3. ELECTRICAL SPECIFICATION :
  - 3-1. Rated current : 1A
  - 3-2. Rated voltage : 30V
  - 3-3. Water proof : IP67
4. Environmental :
  - 4-1. Operation Temperature : -40°C~105°C

DRAWN	Emily Suen	APP'D	Ku Chou	UNIT	mm	TOLERANCE		TITLE	M12 (F) A-coded Assembly type(塑膠本體)			SHEET
CHK'D	Ku Chou			SCALE	1:1	.x ±0.20 .xx ±0.10 .xxx ±0.05 .xxxx ±0.03 ANGULA ±1°		PART NO.	WP-12F2-39-11	DWG NO.	QC10532	VERSION

**NIAN YEONG ENTERPRISE**  
年永實業有限公司