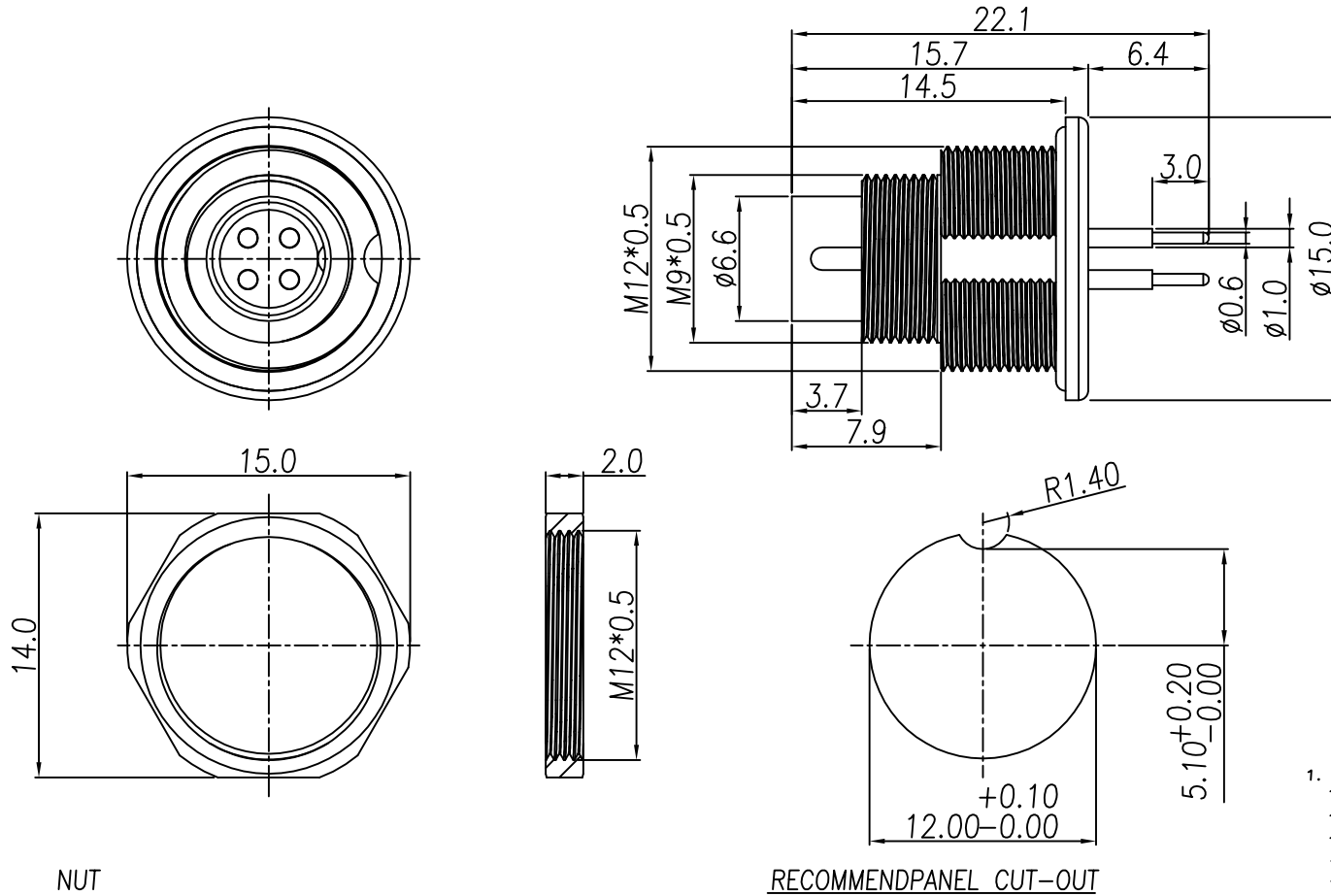


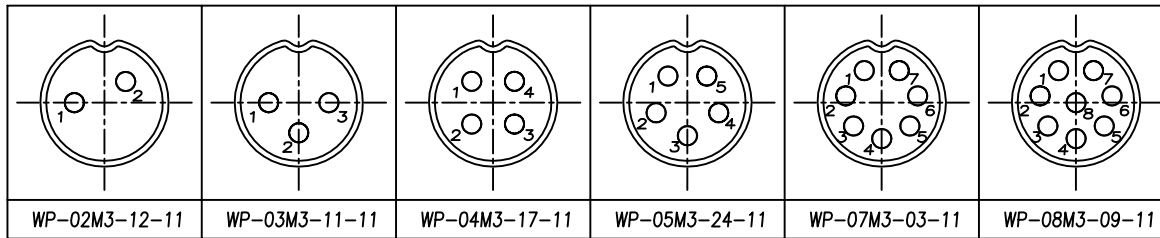
This document is the property of Nian-Yeong Corporation and is delivered on the express condition that it is not to be disclosed, reproduced or used, in whole or in part, for manufacture or sale by anyone other than Nian-Yeong Corporation without its prior consent, and that no right is granted to disclose or to use any information in this document.

CUSTOMER DRAWING

REV.	DESCRIPTION	APPVL. BY	DATE	ECN NO.
A	RELEASE	LED	18/07/22'	
B				
C				



- MATERIAL :
 - HOUSING : PA UL94V-0 ; COLOR : BLACK
 - CONTACT : BRASS.
 - SHELL : BRASS.
 - O-RING : EPDM ; COLOR : BLACK.
 - NUT : BRASS
- FINISH :
 - CONTACT : GOLD FLASH
 - SHELL : NICKEL PLTAED.
 - NUT : NICKEL PLTAED.
- ELECTRICAL SPECIFICATION :
 - Rated current(40°C) : 2~3P 4A; 4~5P 3A; 7~8P 1A
 - Rated Voltage : 125V
 - Water proof : IP67
- Environmental :
 - Operation Temperature : -40°C~85°C



DRAWN	LED	APP'D	Ku Chou	UNIT	mm	TOLERANCE				NIAN YEONG ENTERPRISE 年永實業有限公司	TITLE	WP M9 (M) M12 前鎖插件式			SHEET	1/2
CHK'D	Ku Chou			SCALE	1:1	.x ±0.20 .xx ±0.10 .xxx ±0.05 .xxxx ±0.03 ANGULA ±1°					PART NO.	SEE TABLE A	DWG NO.	QC10468	VERSION	A