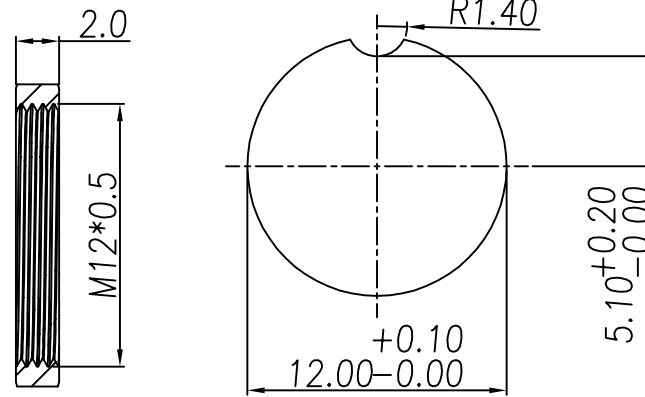
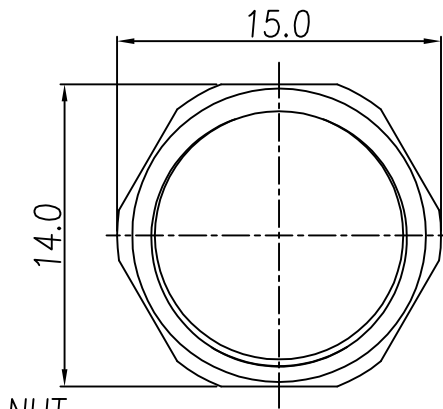
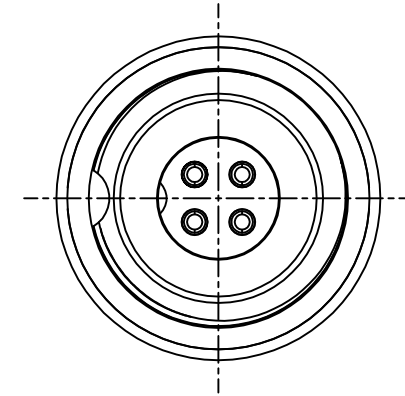
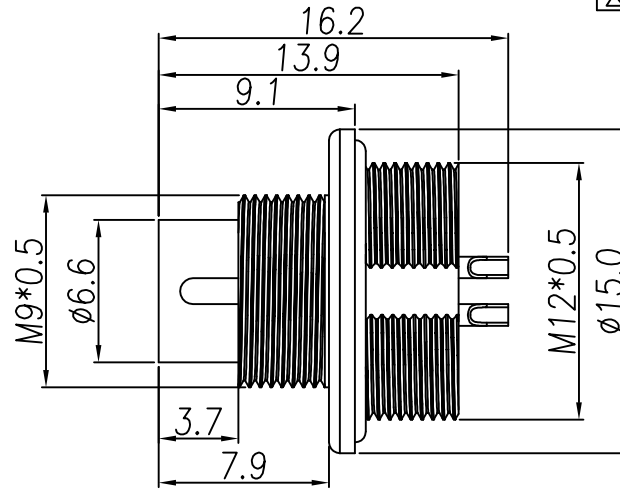
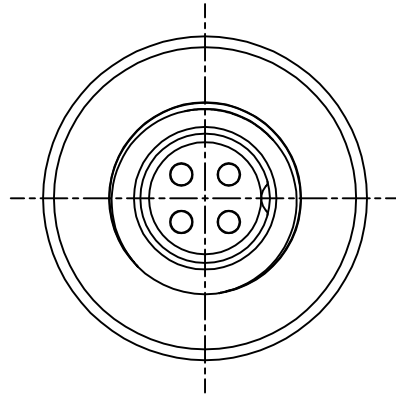


This document is the property of Nian-Yeong Corporation and is delivered on the express condition that it is not to be disclosed, reproduced or used, in whole or in part, for manufacture or sale by anyone other than Nian-Yeong Corporation without its prior consent, and that no right is granted to disclose or to use any information in this document.

CUSTOMER DRAWING

| REV. | DESCRIPTION | APPVL. BY | DATE | ECN NO. |
|------|-------------|-----------|-----------|---------|
| A | RELEASE | LED | 18/07/22' | |
| B | | | | |
| C | | | | |



NUT

RECOMMEND PANEL CUT-OUT

- MATERIAL :
 - 1-1. HOUSING : PA UL94V-0 ; COLOR : BLACK
 - 1-2. CONTACT : BRASS.
 - 1-3. SHELL : BRASS.
 - 1-4. O-RING : EPDM ; COLOR : BLACK.
 - 1-5. NUT : BRASS
- FINISH :
 - 2-1. CONTACT : GOLD FLASH
 - 2-2. SHELL : NICKEL PLTAEED.
 - 2-3. NUT : NICKEL PLTAEED.
- ELECTRICAL SPECIFICATION :
 - 3-1. Rated current(40°C) : 2~3P 4A; 4~5P 3A; 7~8P 1A
 - 3-2. Rated Voltage : 125V
 - 3-3. Water proof : IP67
- Environmental :
 - 4-1. Operation Temperature : -40°C~85°C

| | | | | | |
|---------------|----------------|----------------|----------------|---------------|----------------|
| | | | | | |
| WP-02M2-88-11 | WP-03M2-142-11 | WP-04M2-239-11 | WP-05M2-206-11 | WP-07M2-27-11 | WP-08M2-129-11 |

| | | | | | | | | | | | | | |
|-------|---------|-------|---------|-------|-----|--|--|----------|---------------------|---------|---------|---------|--|
| DRAWN | LED | APP'D | Ku Chou | UNIT | mm | TOLERANCE | | TITLE | WP M9 (M) M12 後鍍焊線式 | | | SHEET | |
| CHK'D | Ku Chou | | | SCALE | 1:1 | .x ±0.20 .xx ±0.10 .xxx ±0.05 .xxxx ±0.03 ANGULA ±1° | | PART NO. | SEE TABLE A | DWG NO. | QC10467 | VERSION | |

NIAN YEONG ENTERPRISE
年永實業有限公司