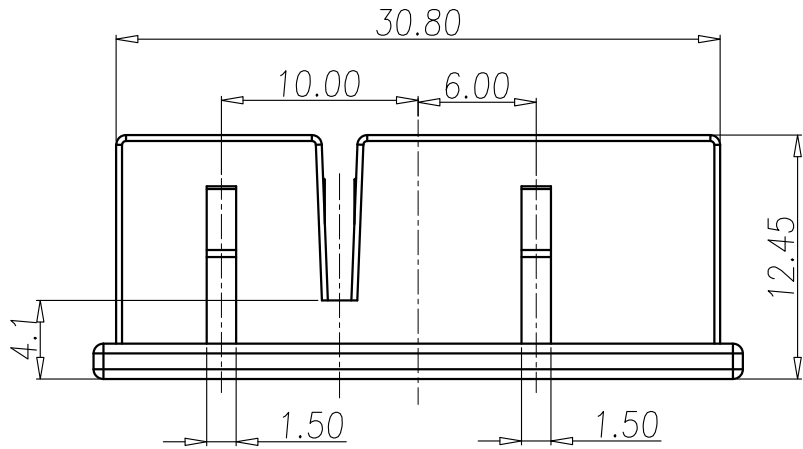
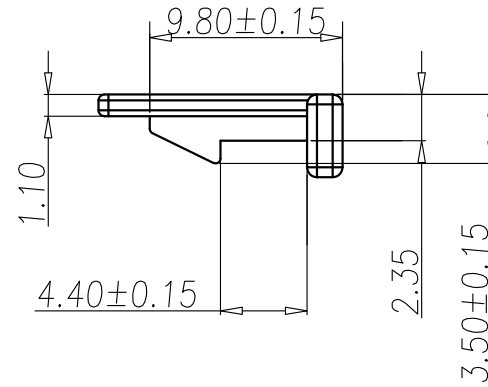
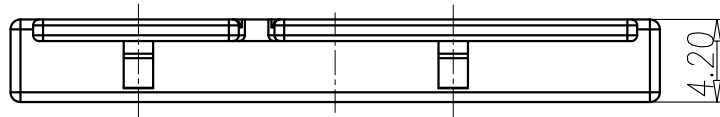
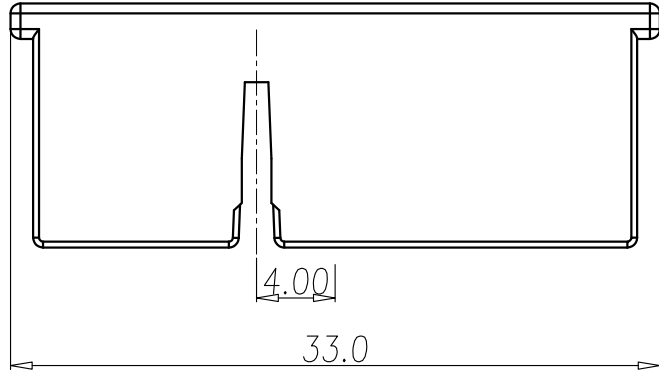


This document is the property of Nian-Yeong Corporation and is delivered on the express condition that it is not to be disclosed, reproduced or used, in whole or in part, for manufacture or sale by anyone other than Nian-Yeong Corporation without its prior consent, and that no right is granted to disclose or to use any information in this document.

CUSTOMER DRAWING

REV.	DESCRIPTION	APPVL. BY	DATE	ECN NO.
A	RELEASE	Fido Weng	09/01/08	
B				
C				



1. MATERIAL :
1-1.LATCH COVER : NYLON 66+15%GF ; COLOR : NATURE BLUE.

DRAW	Ku Chou	APPVL	Emily Suen	UNIT	mm	TOLERANCE		TITLE	OBD2 16POS RECEPTACLE,LATCH COVER			SHEET
CHECK	Emily Suen			SCALE	1:1	.x ±0.10 .xx ±0.05 .xxx ±0.03 .xxxx ±0.01 ANGULA ±1°		PART NO.	ON-TE0161	DWG NO.	QC3793	VERSION
								年永實業有限公司				A