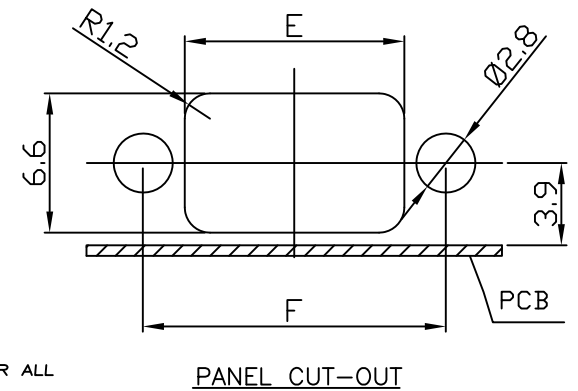
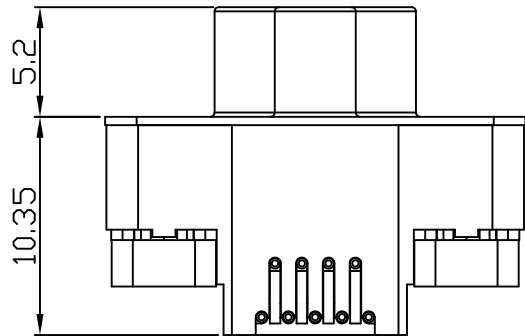
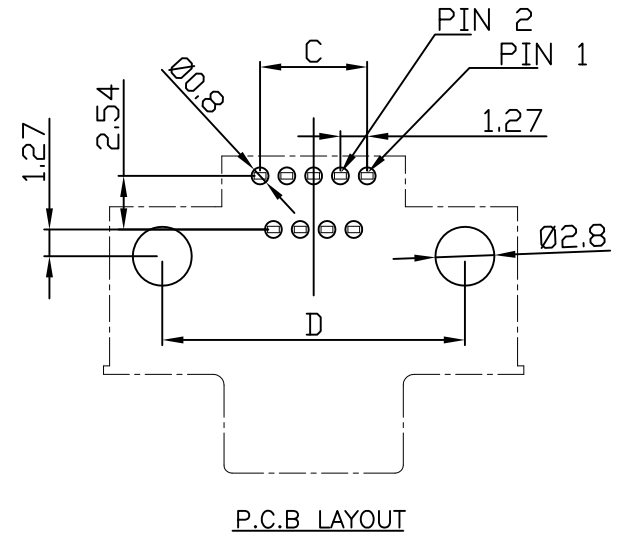
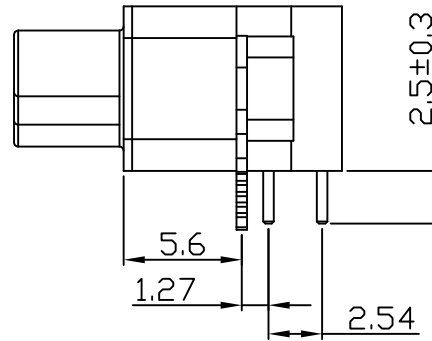
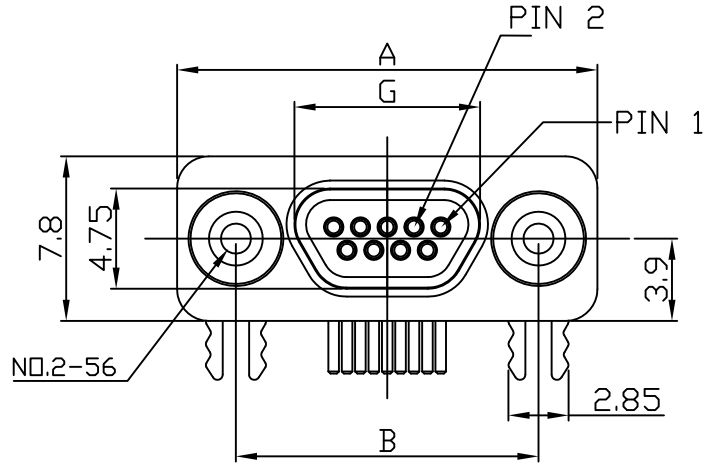


This document is the property of Nian-Yeong Corporation and is delivered on the express condition that it is not to be disclosed, reproduced or used, in whole or in part, for manufacture or sale by anyone other than Nian-Yeong Corporation without its prior consent, and that no right is granted to disclose or to use any information in this document.

# CUSTOMER DRAWING

| REV. | DESCRIPTION | APPROVED BY | DATE       | ECN NO. |
|------|-------------|-------------|------------|---------|
| A    | RELEASE     | YehChou     | 2021/11/26 |         |
| B    |             |             |            |         |
| C    |             |             |            |         |

| P/N           | NUMBER OF PINS | A     | B     | C     | D     | E     | F     | G     |
|---------------|----------------|-------|-------|-------|-------|-------|-------|-------|
| DB-09M3-07-11 | 9              | 19.93 | 14.35 | 5.08  | 14.35 | 10.41 | 14.35 | 8.80  |
| DB-15M3-05-11 | 15             | 23.75 | 18.16 | 8.89  | 18.16 | 14.22 | 18.16 | 12.60 |
| DB-25M3-04-11 | 25             | 30.10 | 24.51 | 15.23 | 24.51 | 20.57 | 24.51 | 18.95 |



- MATERIAL :
  - HOUSING : LCP UL94V-0 ; COLOR : BLACK
  - CONTACT : BRASS
  - FRONT SHELL : SPCC
  - SHELL : BRASS
  - GROUND : BRASS
- FINISH :
  - CONTACT : GOLD 15u" ON CONTACT AREA  
MATTE TIN 60u" ON SOLDER AREA
  - FRONT SHELL : NICKEL PLATED 60u" ~ 100u" OVER ALL
  - SHELL : NICKEL PLATED 60u" ~ 100u" OVER ALL
  - GROUND : NICKEL PLATED 60u" ~ 100u" OVER ALL
- ELECTRICAL SPECIFICATION :
  - Rated current : 1A
  - Voltage : 30V AC
- Environmental :
  - Operation Temperature : -40°C~+125°C

| DRAWN | Yeh Chou   | APP'D | Ku Chou | UNIT  | mm  | TOLERANCE  |          | TITLE    | MICRO D-SUB 9PIN(M) 板上90度(端子金15u") | SHEET   |
|-------|------------|-------|---------|-------|-----|--|----------|----------|------------------------------------|---------|
| CHK'D | Emily Suen |       |         | SCALE | 1:1 | .x ±0.20<br>.xx ±0.15<br>.xxx ±0.10<br>.xxxx ±0.05<br>ANGULA ±1° |          | PART NO. | SEE TABLE A                        | VERSION |
|       |            |       |         |       |     |  |          | DWG NO.  | QC10305                            | A       |
|       |            |       |         |       |     |  | 年永實業有限公司 |          |                                    |         |