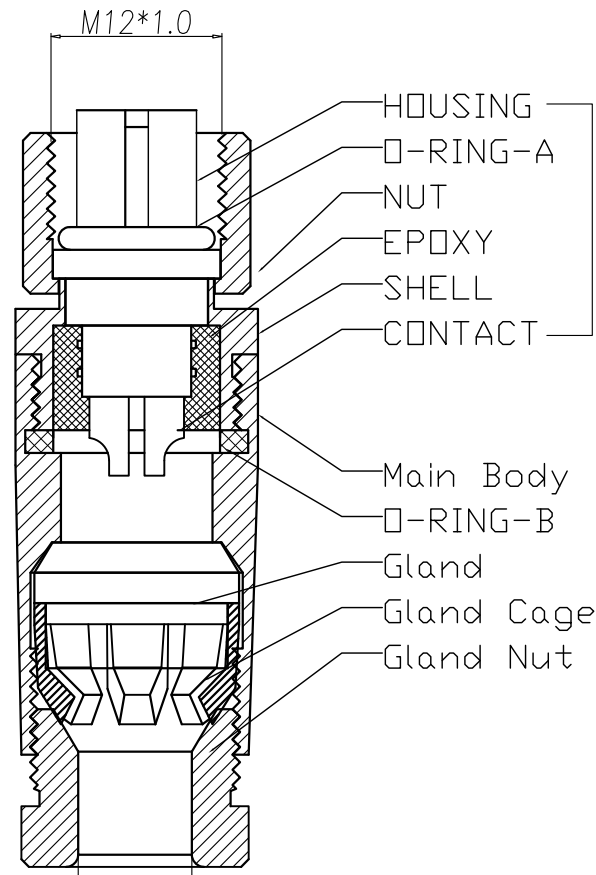
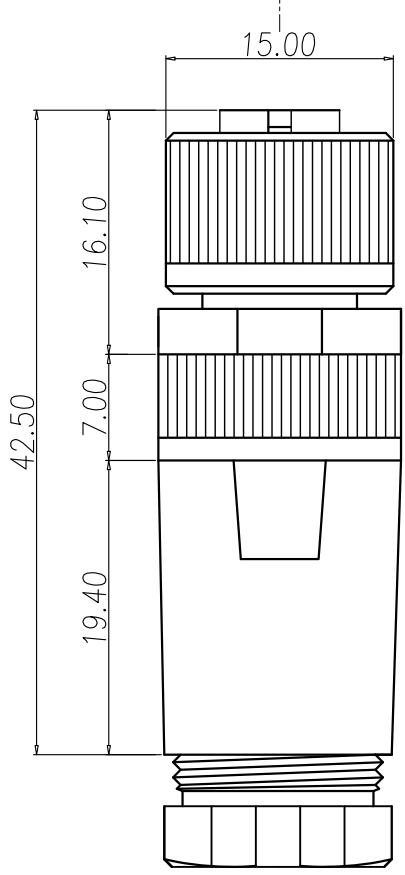
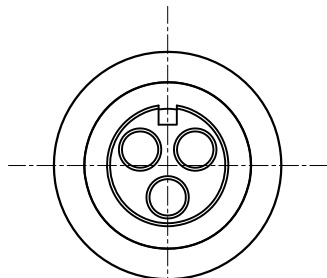


This document is the property of Nian-Yeong Corporation and is delivered on the express condition that it is not to be disclosed, reproduced or used, in whole or in part, for manufacture or sale by anyone other than Nian-Yeong Corporation without its prior consent, and that no right is granted to disclose or to use any information in this document.

CUSTOMER DRAWING

REV.	DESCRIPTION	APPROVED BY	DATE	ECN NO.
A	RELEASE	Fido Weng	24/07/17'	
B				
C				



7.50 RECOMMEND CABLE OD=5.0mm~6.0mm

TABLE A

WP-03F2-100-11	WP-02F2-58-11

1. MATERIAL :

1-1.

- a. HOUSING : PBT UL94V-0 ; COLOR : BLACK.
- b. CONTACT : BRASS
- c. NUT : ALUMINUM ALLOY
- d. SHELL : ALUMINUM ALLOY
- e. O-RING : EPDM ; COLOR : BLACK

1-2. Main Body : ALUMINUM ALLOY

1-3. Gland : SILICONE COLOR : BLACK.

1-4. Gland Cage : POM ; COLOR : WHITE.

1-5. Gland Nut : ALUMINUM ALLOY

2. FINISH :

2-1.

- a. CONTACT : GOLD FLASH.
- b. NUT : SATING Ni PLATED.
- c. SHELL : SATING Ni PLATED.

2-2. Main Body : SATING Ni PLATED.

2-3. Gland Nut : SATING Ni PLATED.

3. ELECTRICAL SPECIFICATION :

3-1. Rated current : 15A

3-2. Rated Voltage : 250V

3-3. Water proof : IPX7

4. Environmental :

4-1. Operation Temperature : -20°C~85°C

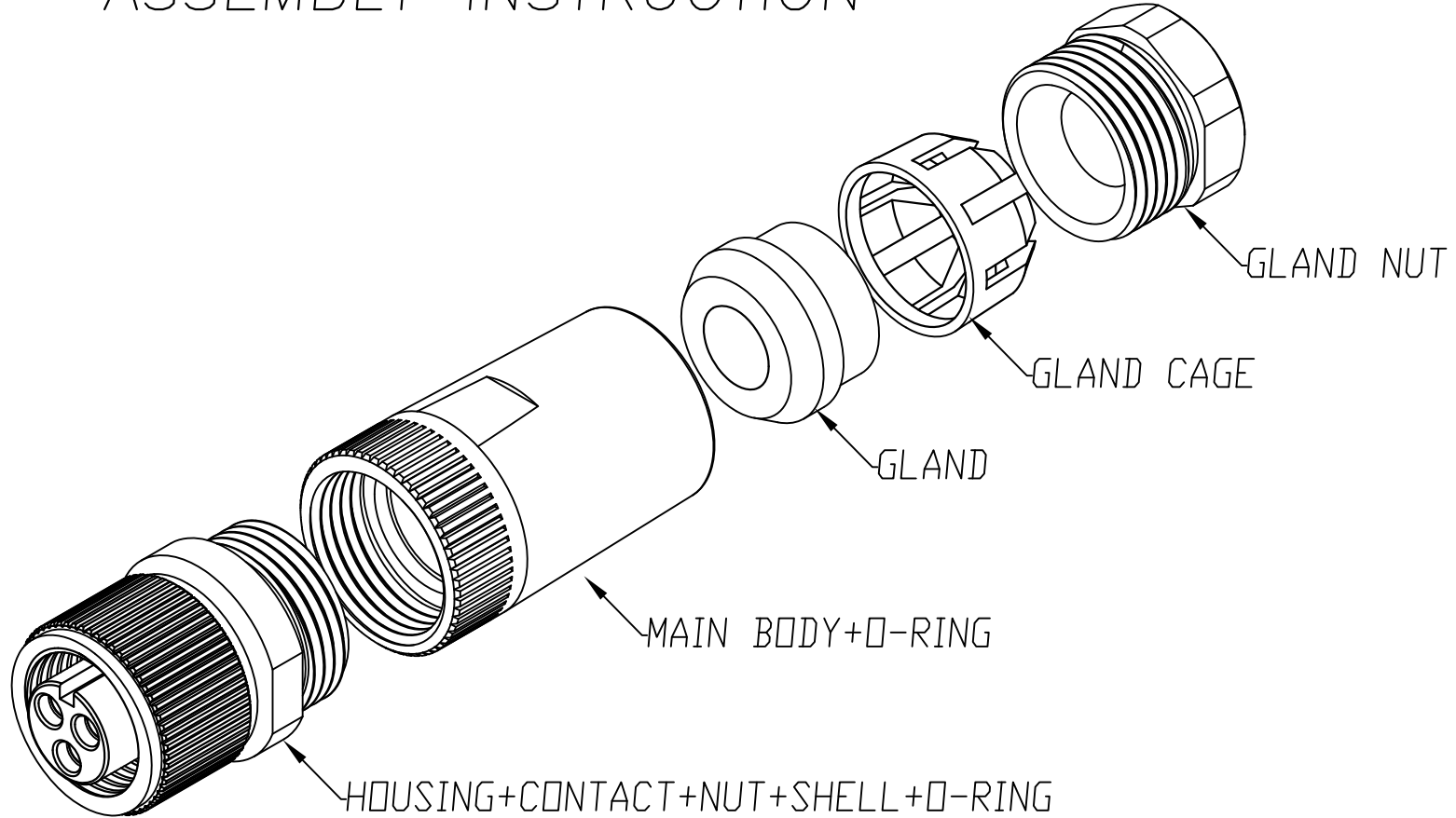
DRAWN	KU Chou	APP'D		UNIT	mm	TOLERANCE		NIAN YEONG ENTERPRISE 年永實業有限公司	TITLE	M12 (F) A-coded Assembly type (15A)			SHEET	1/2
CHK'D				SCALE	1:1	.x ±0.20 .xx ±0.10 .xxx ±0.05 .xxxx ±0.03 ANGULA ±1°			PART NO.	SEE TABLE A	DWG NO.	QC8683	VERSION	A

This document is the property of Nian-Yeong Corporation and is delivered on the express condition that it is not to be disclosed, reproduced or used, in whole or in part, for manufacture or sale by anyone other than Nian-Yeong Corporation without its prior consent, and that no right is granted to disclose or to use any information in this document.

CUSTOMER DRAWING

REV.	DESCRIPTION	APPROVED BY	DATE	ECN NO.
A	RELEASE	Fido Weng	24/07/17	
B				
C				

ASSEMBLY INSTRUCTION



DRAWN	KU Chou	APP'D		UNIT	mm	TOLERANCE		NIAN YEONG ENTERPRISE 年永實業有限公司	TITLE	M12 (F) A-coded Assembly type (15A)			SHEET	2
CHK'D				SCALE	1:1	.x ±0.20 .xx ±0.10 .xxx ±0.05 .xxxx ±0.03 ANGULA ±1°			PART NO.	SEE TABLE A	DWG NO.	QC8683	VERSION	A