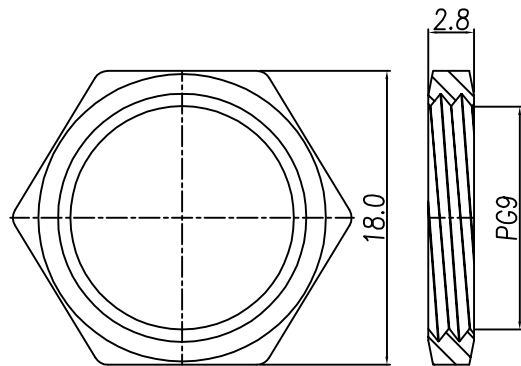
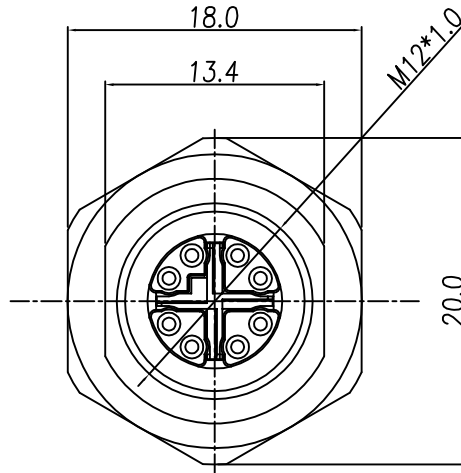
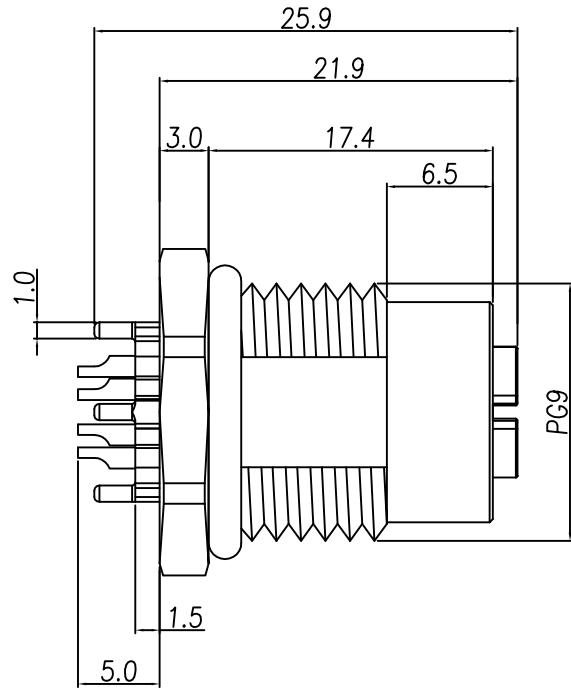


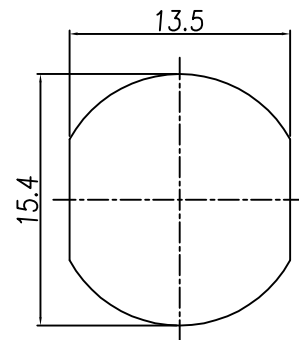
This document is the property of Nian-Yeong Corporation and is delivered on the express condition that it is not to be disclosed, reproduced or used, in whole or in part, for manufacture or sale by anyone other than Nian-Yeong Corporation without its prior consent, and that no right is granted to disclose or to use any information in this document.

CUSTOMER DRAWING

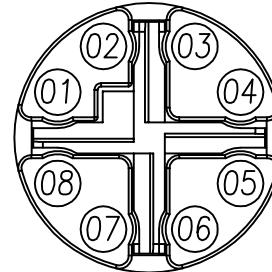
REV.	DESCRIPTION	APPROVED BY	DATE	ECN NO.
A	RELEASE	Fido Weng	04/12/14*	
B				
C				



NUT





RECOMMEND PANEL CUT-OUT



Pin Assignments

TABLE A

		
WP-08F2-53-11 WP-08F2-126-11	WP-08F2-61-11 WP-08F2-127-11	
WP-08F2-127-11	STAINLESS STEEL 316	-
WP-08F2-126-11	STAINLESS STEEL 316	-
WP-08F2-61-11	BRASS	NICKEL PLATED
WP-08F2-53-11	BRASS	NICKEL PLATED
PART No.	MATERIAL(SHELL&NUT)	FINISH(SHELL&NUT)

- MATERIAL :
 - HOUSING : PA66 UL94V-0 ; COLOR : BLACK
 - CONTACT : BRASS
 - NUT : SEE TABLE A
 - SHELL : SEE TABLE A
 - O-RING : EPDM
 - X-SHELL : Zn ALLOY
- FINISH :
 - CONTACT : 10 MICRO INCHES MIN. GOLD PLATED UNDER PLATE : NICKEL
 - NUT : SEE TABLE A
 - SHELL : SEE TABLE A
 - X-SHELL : NICKEL PLATED
- ELECTRICAL SPECIFICATION :
 - Rated current : 0.5A
 - Rated Voltage : 50V AC/60V DC
 - Water proof: IP67
- Environmental :
 - Operation Temperature : -40℃~85℃

DRAWN	Ku Chou	APPEND	Fido Weng	UNIT	mm	TOLERANCE		 NIAN YEONG ENTERPRISE 年永實業有限公司	TITLE	防水環 M12 8PIN X-Code (F) 鉗鎖Pg9 焊線式(無滴槽)			SHEET	1/2
CHOKED	Emily Suen			SCALE	1:1	.x ±0.20 .xx ±0.10 .xxx ±0.05 .xxxx ±0.03 ANGULA ±1°			PART NO.	WP-08F2-53-11	DWG NO.	QC7051	VERSION	A