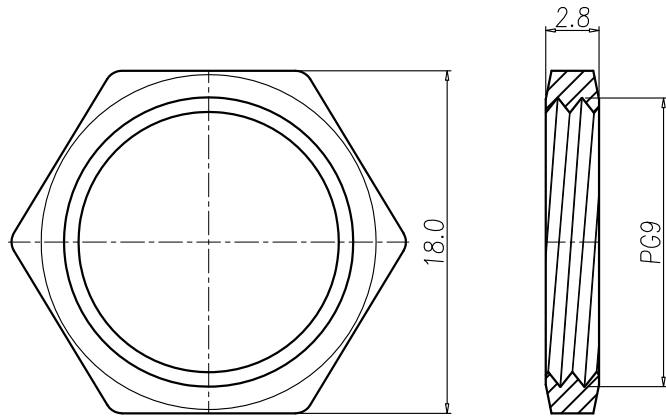
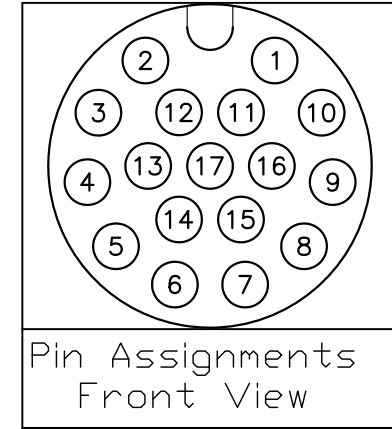
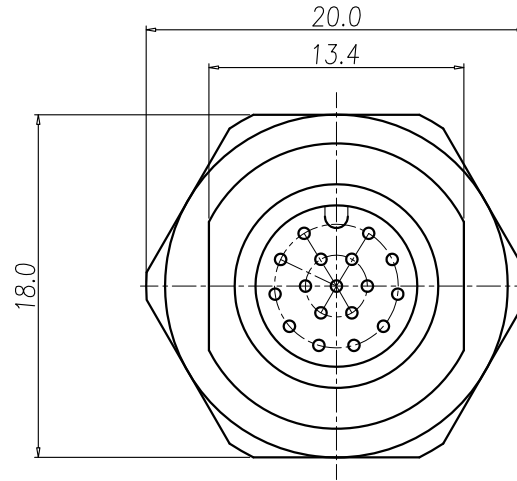
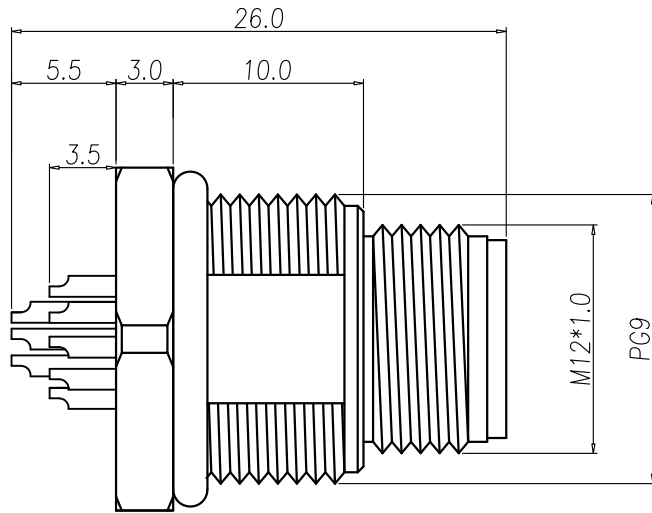


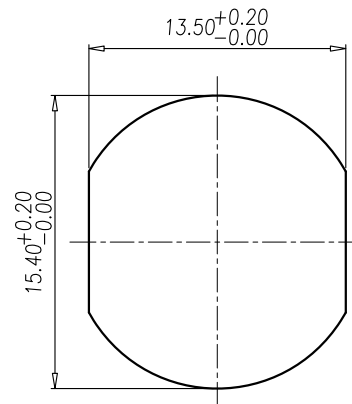
This document is the property of Nian-Yeong Corporation and is delivered on the express condition that it is not to be disclosed, reproduced or used, in whole or in part, for manufacture or sale by anyone other than Nian-Yeong Corporation without its prior consent, and that no right is granted to disclose or to use any information in this document.

# CUSTOMER DRAWING

REV.	DESCRIPTION	APPROVED BY	DATE	ECN NO.
A	RELEASE	KU CHOU	28/04/21	
B				
C				



**NUT**



**RECOMMENDPANEL CUT-OUT**

- MATERIAL :**
  - 1-1. HOUSING : PBT UL94V-0 ; COLOR : BLACK
  - 1-2. CONTACT : BRASS
  - 1-3. NUT : BRASS
  - 1-4. SHELL : BRASS
  - 1-5. O-RING : EPDM ; COLOR : BLACK
- FINISH :**
  - 2-1. CONTACT : 10 MICRO INCHES MIN. GOLD PLATED  
UNDER PLATE : NICKEL
  - 2-2. NUT : NICKEL PLATED
  - 2-3. SHELL : NICKEL PLATED
- ELECTRICAL SPECIFICATION :**
  - 3-1. Rated current : 1.5A
  - 3-2. Rated voltage : 30V
  - 3-3. Water proof : IP67
- Environmental :**
  - 4-1. Operation Temperature : -40℃~85℃

DRAWN	EMILY SUEN	APP'D	KU CHOU	UNIT	mm	TOLERANCE	NIAN YEONG ENTERPRISE		TITLE	M12 17PIN(M) 插脚PG9 插脚式(无焊槽/铁壳壳)			SHEET
CHK'D	KU CHOU			SCALE	1:1	.x ±0.20 .xx ±0.10 .xxx ±0.05 .xxxx ±0.03 ANGULA ±1°	年永實業有限公司		PART NO.	WP-17M2-08-11	DWG NO.	QC10180	VERSION A