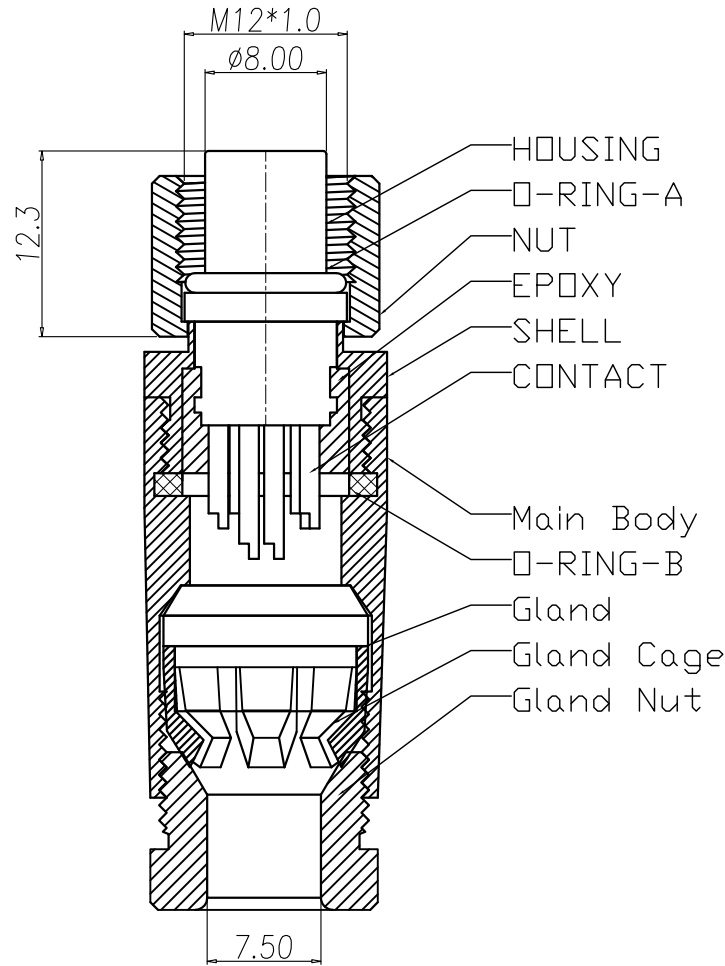
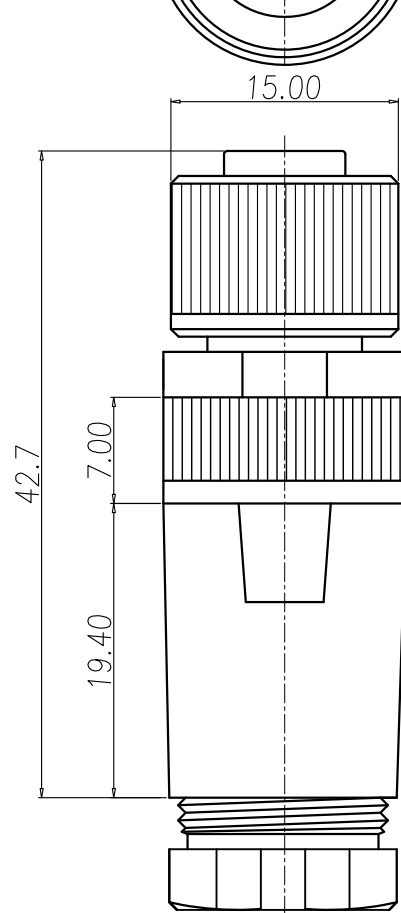
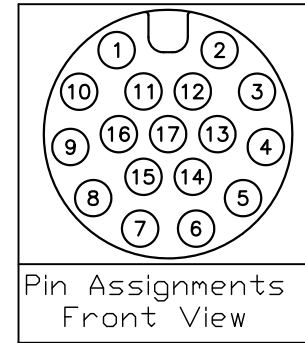
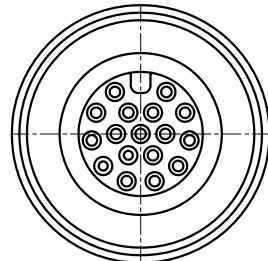


This document is the property of Nian-Yeong Corporation and is delivered on the express condition that it is not to be disclosed, reproduced or used, in whole or in part, for manufacture or sale by anyone other than Nian-Yeong Corporation without its prior consent, and that no right is granted to disclose or to use any information in this document.

CUSTOMER DRAWING

REV.	DESCRIPTION	APPROVED BY	DATE	ECN NO.
A	RELEASE	KU CHOU	25/2/21'	
B				
C				



1. MATERIAL :

- 1-1. HOUSING : PBT UL94V-0 ; COLOR : BLACK
- 1-2. CONTACT : BRASS
- 1-3. NUT : ALUMINIUM ALLOY
- 1-4. SHELL : ALUMINIUM ALLOY
- 1-5. O-RING A : EPDM
- 1-6. MAIN BODY : ALUMINIUM ALLOY
- 1-7. O-RING B : SILICONE
- 1-8 GLAND : SILICONE ; COLOR : BLACK
- 1-9. GLAND CAGE : POM ; COLOR : WHITE
- 1-10. GLAND NUT : ALUMINIUM ALLOY

2. FINISH :

- 2-1. CONTACT : 10u" MIN. GOLD PLATED ; UNDER PLATE : NICKEL
- 2-2. NUT : NICKEL PLATED
- 2-3. SHELL : NICKEL PLATED
- 2-4. MAIN BODY : NICKEL PLATED
- 2-5. GLAND NUT : NICKEL PLATED

3. ELECTRICAL SPECIFICATION :

- 3-1. RATED CURRENT: 1.5A
- 3-2. RATED VOLTAGE : 30V
- 3-3. WATER PROOF: IP67

4. ENVIRONMENTAL :

- 4-1. OPERATION TEMPERATURE : -20°C~85°C

DRAWN	EMILY SUEN	APP'D	KU CHOU	UNIT	mm	TOLERANCE	NIAN YEONG ENTERPRISE		TITLE	M12 17PIN (F) A-coded Assembly type			SHEET
CHK'D	KU CHOU			SCALE	1:1	.x ±0.20 .xx ±0.10 .xxx ±0.05 .xxxx ±0.03 ANGULA ±1°	年永實業有限公司		PART NO.	WP-17F2-11-11	DWG NO.	QC10178	VERSION A