

This document is the property of Nian-Yeong Corporation and is delivered on the express condition that it is not to be disclosed, reproduced or used, in whole or in part, for manufacture or sale by anyone other than Nian-Yeong Corporation without its prior consent, and that no right is granted to disclose or to use any information in this document.

CUSTOMER DRAWING

REV.	DESCRIPTION	APPROVED BY	DATE	ECN NO.
A	RELEASE	KU CHOU	22/11/11*	
B				
C				

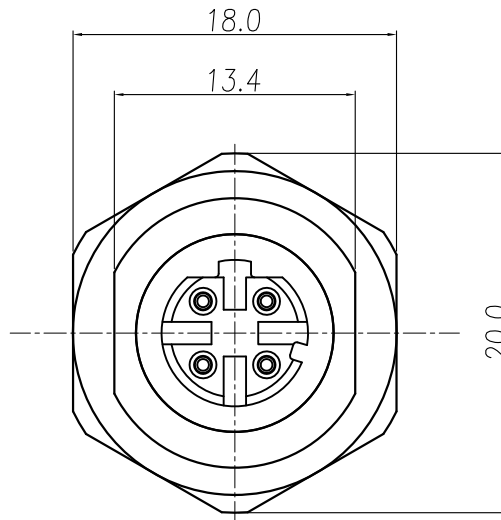
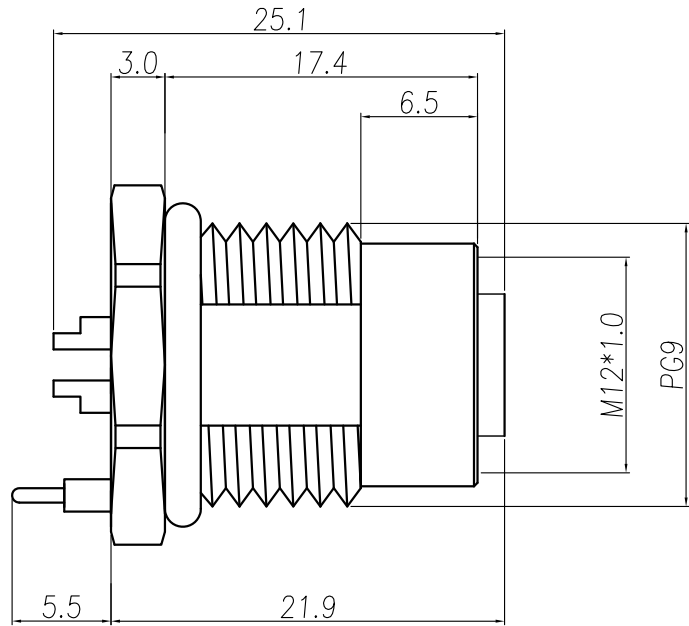
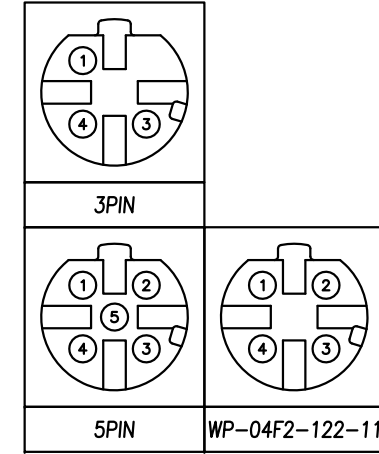
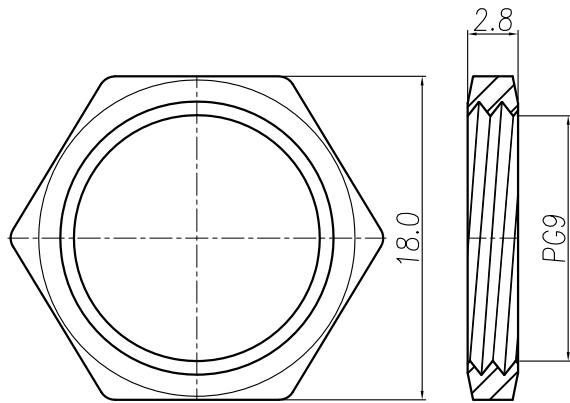


TABLE A

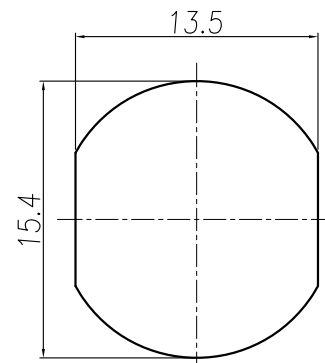


Pin Assignments
Front View

- MATERIAL :
 - 1-1. HOUSING : PBT UL94V-0 ; COLOR : BLACK
 - 1-2. CONTACT : BRASS
 - 1-3. NUT : BRASS
 - 1-4. SHELL : BRASS
 - 1-5. O-RING : EPDM ; COLOR : BLACK
- FINISH :
 - 2-1. CONTACT : 10 MICRO INCHES MIN. GOLD PLATED UNDER PLATE : NICKEL
 - 2-2. NUT : NICKEL PLATED
 - 2-3. SHELL : NICKEL PLATED
- ELECTRICAL SPECIFICATION :
 - 3-1. Rated current : 4A
 - 3-2. Rated Voltage : 3~4PIN 250V ; 5PIN 60V
 - 3-3. Water proof: IP67
- Environmental :
 - 4-1. Operation Temperature : -40°C~85°C



NUT



RECOMMENDPANEL CUT-OUT

DRAWN	EMILY SUEN	APP'D	KU CHOU	UNIT	mm	TOLERANCE	NIAN YEONG ENTERPRISE 年永實業有限公司	TITLE	防水頭 M12 4PIN (F) 鍍鎳Pg9插線式(無溝槽+接地)			SHEET	A
CHK'D	KU CHOU			SCALE	1:1	.x ±0.20 .xx ±0.10 .xxx ±0.05 .xxxx ±0.03 ANGULA ±1°		PART NO.	SEE TABLE A	DWG NO.	QC6900	VERSION	